

## iQ500, built-in fridge-freezer with freezer at bottom, 193.5 x 70.8 cm, soft close flat hinge KB96NSDD0



Built-in fridge freezer with 45 percent extra space and hyperFresh <0°C>: ideal storage conditions for all your food and XXL capacity to shop in bulk.

- ✓ Large volume: 45% more space to store your entire weekly groceries.
- ✓ hyperFresh <0°C>: More space for fruit and vegetables. A cold climate for fish and meat.
- ✓ freezerLight: Clever freezer illumination.
- ✓ flexShelf: Optimize your fridge space by sliding the shelf out of the way.
- ✓ doorAlarm: Reminds you to close the door and keep the cold inside.

### Features

#### Technical Data

Energy Efficiency Class (Regulation (EU) 2017/1369) <sup>1</sup> :	..... D
Average annual energy consumption in kilowatt hour per year (kWh/a) <sup>2</sup> :	..... 204 kWh/annum
Sum of volume of frozen compartments:	..... 98 l
Sum of volume of chill compartments:	..... 284 l
Airborne acoustical noise emissions :	..... 33 dB(A) re 1pW
Airborne acoustical noise emission class:	..... B
Design:	..... Built-in
Number of compressors:	..... 1
Number of independent cooling systems:	..... 2
Width of the appliance:	..... 708 mm
Height:	..... 1935 mm
Depth:	..... 548 mm
Net weight:	..... 73.8 kg
Required niche size for installation (HxWxD):	.... 1940x710x560 mm
Door panel options:	..... Not possible
Door hinge:	..... Right reversible
Number of Adjustable Shelves in fridge compartment:	..... 3
Shelves for Bottles:	..... Yes
Frost free system:	..... Freezer
Interior ventilator:	..... Yes
Reversible Door Hinge:	..... Yes
Length electrical supply cord:	..... 230 cm
Multi-Flow Air Tower:	..... No
Fast cooling switch:	..... Yes
Fast freezing function:	..... Yes
Temperature Controlled Drawer:	..... No
Humidity Control Drawer:	..... No
Number of Door Bins - Refrigerator:	..... 3
Door bin adjustability - Refrigerator:	..... Yes
Tilt-out door bins in fridge:	..... No
Gallon wide door bins:	..... Yes
Number of Gallon storage:	..... 1
Motorized Shelf:	..... No
Material of the shelves:	..... Safety glass
Door opened indicator freezer:	..... Yes
Automatic motor-driven ice-maker:	..... No
Connection rating:	..... 90 W
Fuse protection:	..... 10 A
Voltage:	..... 220-240 V
Frequency:	..... 50 Hz
Storage Period in Event of Power Failure (h):	..... 13 h
Door panel options:	..... Not possible
ENERGY STAR® certified:	..... No
Plug type:	..... Gardy plug w/ earthing
Required cutout/niche size for installation (in):	..... x

### Optional accessories

KSZGGM00 Butter box

<sup>1</sup> Scale of Energy Efficiency Classes from A to G

<sup>2</sup> Based on the results of the standard 24-hour test. Actual consumption depends on usage/position of the appliance.

Dimensions of the packed product: ..... 79.52 x 30.31 x 25.19  
Net weight: ..... 163.000 lbs  
Gross weight: ..... 177.000 lbs



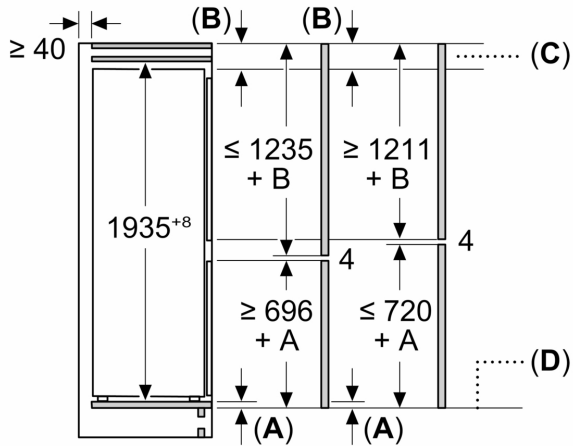
## iQ500, built-in fridge-freezer with freezer at bottom, 193.5 x 70.8 cm, soft close flat hinge KB96NSDD0

Features	
<p><b>Performance and consumption</b></p> <ul style="list-style-type: none"> <li>• Energy Class: D</li> <li>• Total Volume: 381 l</li> <li>• Annual Energy Consumption: 204 kWh/a</li> <li>• Noise Level : 33 dB , B Class</li> </ul> <p><b>Design and Styling</b></p> <ul style="list-style-type: none"> <li>• LED with Soft Start in fridge section</li> <li>• Built-in-refrigerator 2-door, Bottom Fre</li> </ul> <p><b>Convenience &amp; Safety</b></p> <ul style="list-style-type: none"> <li>• No Frost</li> <li>• Fast Freeze Facility</li> <li>• Connected appliance: Remote Monitoring and Control, iService Remote</li> <li>• Twin LED electronic control</li> <li>• Two Cooling Systems</li> <li>• Super Cooling: automatic deactivation</li> <li>• Acoustic warning system, Acoustic alarm if door left open, Optical and acoustic door open warning system</li> <li>• Automatic defrost in fridge section</li> </ul> <p><b>Fridge Compartment</b></p> <ul style="list-style-type: none"> <li>• Net Fridge Volume : 284 l</li> <li>• 1 door bin(s) high, 2 door bin(s) small</li> <li>• 1 Dairy Compartment</li> <li>• 5 PC safety glass shelves of which 3 are height adjustable</li> <li>• 1 foldable garage plate1 PC</li> <li>• Bottle storage: Bottle grid</li> <li>• Bottle cooler accessory</li> </ul> <p><b>Freshness System</b></p> <ul style="list-style-type: none"> <li>• 1 hyperFresh box with adjustable humidity - keeps fruit and vegetables fresh for longer.</li> <li>• 1 hyperFresh &lt;0°C&gt; box - keeps fish and meat longer fresh</li> </ul> <p><b>Freezer</b></p> <ul style="list-style-type: none"> <li>• Net Freezer Volume : 98 l</li> <li>• freezerLight</li> <li>• LED illumination with Soft Start in the freezer</li> <li>• Freezing capacity 24h: 10 kg</li> <li>• Temperature rise time : 13 H</li> <li>• 3 transparent freezer drawers</li> </ul> <p><b>Dimensions</b></p> <ul style="list-style-type: none"> <li>• Appliance Dimensions ( H x W x D): 193.5 cm x 70.8 cm x 54.8 cm</li> <li>• Niche Dimension (H x W x D): 194.0 cm x 71.0 cm x 56.0 cm</li> </ul> <p><b>Technical Information</b></p> <ul style="list-style-type: none"> <li>• Door right hinged, reversible</li> <li>• Length of power cord: 230 cm</li> </ul>	<ul style="list-style-type: none"> <li>• Climate Class: SN-T</li> <li>• Nominal voltage: 220 - 240 V</li> </ul> <p><b>Accessories</b></p> <ul style="list-style-type: none"> <li>• ice cube tray</li> <li>• ice cube tray</li> </ul> <p><b>Country Specific Options</b></p> <ul style="list-style-type: none"> <li>• Based on the results of the standard 24-hour test. Actual consumption depends on usage/position of the appliance.</li> </ul> <p><b>Environment and Safety</b></p> <p><b>Installation</b></p> <p><b>General Information</b></p> <ul style="list-style-type: none"> <li>• Heavy load hinge set</li> <li>• Matter Product ID: Cooling with SMM M2</li> <li>• side-by-side capable</li> <li>• Side-by-Side Enabler: no</li> </ul>

**iQ500, built-in fridge-freezer with  
freezer at bottom, 193.5 x 70.8  
cm, soft close flat hinge  
KB96NSDD0**

Dimensioned drawings

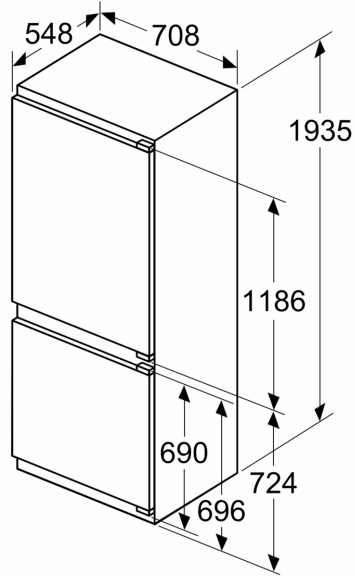
Measurements in mm



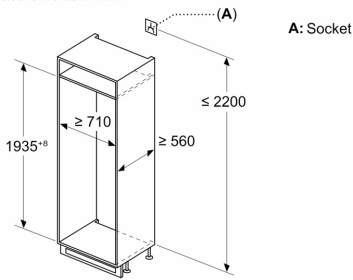
**C:** Front panel overhang

**D:** Lower edge of front panel

Measurements in mm



Measurements in mm

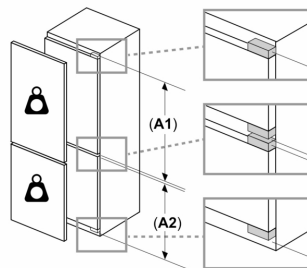


**A:** Socket

**Maximal permissible weight of the unit fronts**

Fitted unit fronts that exceed the permissible weight may cause damage and result in functional impairment of the hinges

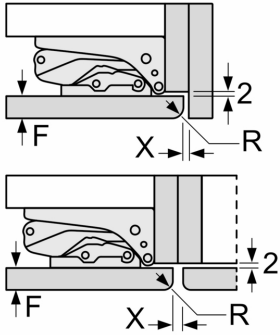
**Δ Weight**



<b>A1</b>	20 kg
<b>A2</b>	19 kg

Dimensioned drawings

measurements in mm  
Recommended gap dimensions for flat hinges



F	R	X
16-19	0-3	2.5
20	0-1	3
	2-3	2.5
21	0-1	3
	2-3	2.5
22	0	4
	1	3.5
	2-3	3

The gap dimensions recommended in the table must be adhered to in order to ensure that appliance doors do not collide with anything when they are opened, and to avoid causing damage to kitchen units.