

**iQ300, free-standing  
fridge-freezer with freezer at  
bottom, 203 x 60 cm, BlackSteel,  
Total noFrost  
KG39NVXCG**



The freestanding fridge freezer with hyperFresh <0°C> for longer freshness, Total noFrost for no more defrosting, and a metal backwall for even cooling.

- ✓ hyperFresh <0°C>: More space for fruit and vegetables. A cold climate for fish and meat.
- ✓ Total noFrost: Never defrost your freezer again and bid farewell to water drops on the fridge backwall.
- ✓ Metal backwall with multiAirflow: Evenly cooled food and drinks on all levels.
- ✓ doorAlarm: Reminds you to close the door and keep the cold inside.
- ✓ noDistance: Place your fridge or freezer directly against the wall or in a niche without a gap.

## Features

### Technical Data

Energy Efficiency Class (Regulation (EU) 2017/1369) <sup>1</sup> :	.....C
Average annual energy consumption in kilowatt hour per year (kWh/a) <sup>2</sup> :	..... 162 kWh/annum
Sum of volume of frozen compartments:	..... 103 l
Sum of volume of chill compartments:	..... 260 l
Airborne acoustical noise emissions :	..... 35 dB(A) re 1pW
Airborne acoustical noise emission class:	.....B
Design:	.....Free-standing
Number of compressors:	..... 1
Number of independent cooling systems:	..... 2
Width of the appliance:	..... 600 mm
Height:	..... 2030 mm
Depth:	..... 665 mm
Net weight:	..... 72.9 kg
Door panel options:	.....Not possible
Door hinge:	.....Right reversible
Number of Adjustable Shelves in fridge compartment:	..... 3
Shelves for Bottles:	..... Yes
Frost free system:	.....Fridge and freezer
Interior ventilator:	..... No
Reversible Door Hinge:	..... Yes
Length electrical supply cord:	..... 226 cm
Noise level:	..... 35 dB(A) re 1pW
Multi-Flow Air Tower:	..... Yes
Fast cooling switch:	..... Yes
Fast freezing function:	..... Yes
Temperature Controlled Drawer:	..... No
Humidity Control Drawer:	..... No
Number of Door Bins - Refrigerator:	.....4
Door bin adjustability - Refrigerator:	.....Yes
Tilt-out door bins in fridge:	..... No
Gallon wide door bins:	..... Yes
Number of Gallon storage:	..... 1
Motorized Shelf:	..... No
Material of the shelves:	..... Safety glass
Door opened indicator freezer:	..... No
Automatic motor-driven ice-maker:	..... No
Fuse protection:	..... 10 A
Voltage:	.....220-240 V
Frequency:	..... 50 Hz
Storage Period in Event of Power Failure (h):	..... 15 h
Door panel options:	.....Not possible
Noise level:	..... 35 dB(A) re 1pW
ENERGY STAR® certified:	..... No
Plug type:	..... Gardy plug w/ earthing
Required cutout/niche size for installation (in):	..... X /

<sup>1</sup> Scale of Energy Efficiency Classes from A to G

<sup>2</sup> Based on the results of the standard 24-hour test. Actual consumption depends on usage/position of the appliance.

Dimensions of the packed product: ..... 82.48 x 25.98 x 30.70  
Net weight: ..... 161.000 lbs  
Gross weight: ..... 175.000 lbs



## iQ300, free-standing fridge-freezer with freezer at bottom, 203 x 60 cm, BlackSteel, Total noFrost KG39NVXCG

### Features

- KG39NVXCG
- Total noFrost - frost-free freezer and no condensation in fridge
- Brushed black steel anti-fingerprint Doors

#### Performance and consumption

- Energy Class: C
- Total Volume: 363 l
- Annual Energy Consumption: 162 kWh/a
- Noise Level : 35 dB , B Class

#### Design and Styling

- Doors Brushed black steel anti-fingerprint, side panels cast iron
- Integrated vertical handle
- LED with Soft Start in fridge section
- Metal backwall with multi airflow

#### Convenience & Safety

- Total noFrost - frost-free freezer and no condensation in fridge
- Twin LED electronic control
- Two Cooling Systems
- Super Cooling: automatic deactivation
- Optical and acoustic door open warning system
- Optical and acoustic warning system for malfunction of freezer compartment

#### Fridge Compartment

- Net Fridge Volume : 260 l
- Multi Airflow-System
- 5 PC safety glass shelves of which 3 are height adjustable
- 4 door bins, thereof 1 door bin(s) high
- Bottle storage: Bottle grid

#### Freshness System

- 1 hyperFresh  $\rightarrow 0^{\circ}\text{C}$  box - fish and meat stay fresh for longer.
- 1 hyperFresh box with adjustable humidity - keeps fruit and vegetables fresh for longer.

#### Freezer

- Net Freezer Volume : 103 l
- Freezing capacity 24h: 10 kg
- Temperature rise time : 15 H
- Fast Freeze Facility
- 3 transparent freezer drawers

#### Dimensions

- Appliance Dimensions ( H x W x D): 203 cm x 60 cm x 66.5 cm

#### Technical Information

- Door right hinged, reversible
- Height adjustable front feet
- Climate Class: SN-T

- Nominal voltage: 220 - 240 V
- Length of power cord: 226 cm

#### Accessories

- ice cube tray
- ice cube tray

#### Country Specific Options

- Based on the results of the standard 24-hour test. Actual consumption depends on usage/position of the appliance.

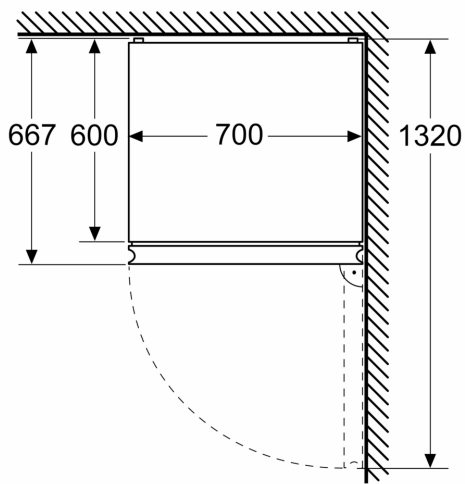
#### Environment and Safety

#### Installation

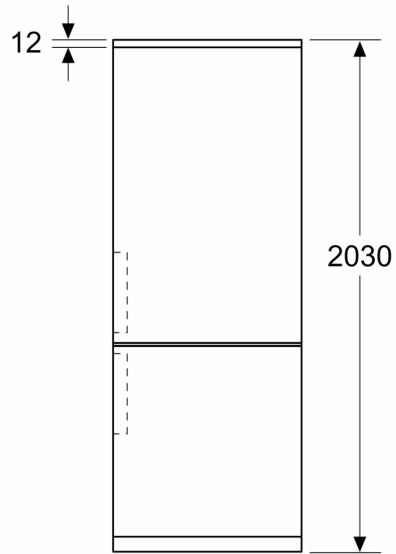
iQ300, free-standing  
fridge-freezer with freezer at  
bottom, 203 x 60 cm, BlackSteel,  
Total noFrost  
KG39NVXCG

Dimensioned drawings

Measurements in mm



Measurements in mm



Measurements in mm

