

**iQ300, free-standing
fridge-freezer with freezer at
bottom, 203 x 70 cm, BlackSteel,
Total noFrost
KG49NVXDG**



The freestanding fridge freezer with hyperFresh 0°C for longer freshness, Total noFrost for no more defrosting, and a metal backwall for even cooling.

- ✓ hyperFresh 0°C: More space for fruit and vegetables. A cold climate for fish and meat.
- ✓ Total noFrost: Never defrost your freezer again and bid farewell to water drops on the fridge backwall.
- ✓ Metal backwall with multiAirflow: Evenly cooled food and drinks on all levels.
- ✓ doorAlarm: Reminds you to close the door and keep the cold inside.
- ✓ noDistance: Place your fridge or freezer directly against the wall or in a niche without a gap.

Features

Technical Data

Energy Efficiency Class (Regulation (EU) 2017/1369) ¹ : D
Average annual energy consumption in kilowatt hour per year (kWh/a) ² : 223 kWh/annum
Sum of volume of frozen compartments: 129 l
Sum of volume of chill compartments: 311 l
Airborne acoustical noise emissions : 35 dB(A) re 1pW
Airborne acoustical noise emission class: B
Design: Free-standing
Number of compressors: 1
Number of independent cooling systems: 2
Width of the appliance: 700 mm
Height: 2030 mm
Depth: 667 mm
Net weight: 78.1 kg
Door panel options: Not possible
Door hinge: Right reversible
Number of Adjustable Shelves in fridge compartment: 3
Shelves for Bottles: Yes
Frost free system: Fridge and freezer
Interior ventilator: No
Reversible Door Hinge: Yes
Length electrical supply cord: 231 cm
Noise level: 35 dB(A) re 1pW
Multi-Flow Air Tower: Yes
Fast cooling switch: Yes
Fast freezing function: Yes
Temperature Controlled Drawer: No
Humidity Control Drawer: No
Number of Door Bins - Refrigerator: 4
Door bin adjustability - Refrigerator: Yes
Tilt-out door bins in fridge: No
Gallon wide door bins: Yes
Number of Gallon storage: 1
Motorized Shelf: No
Material of the shelves: Safety glass
Door opened indicator freezer: No
Automatic motor-driven ice-maker: No
Fuse protection: 10 A
Voltage: 220-240 V
Frequency: 50 Hz
Storage Period in Event of Power Failure (h): 18 h
Door panel options: Not possible
Noise level: 35 dB(A) re 1pW
ENERGY STAR® certified: No
Plug type: Gardy plug w/ earthing
Required cutout/niche size for installation (in): X

¹ Scale of Energy Efficiency Classes from A to G

² Based on the results of the standard 24-hour test. Actual consumption depends on usage/position of the appliance.

Dimensions of the packed product: 82.48 x 29.92 x 30.70
Net weight: 172.000 lbs
Gross weight: 187.000 lbs



iQ300, free-standing fridge-freezer with freezer at bottom, 203 x 70 cm, BlackSteel, Total noFrost KG49NVXDG

Features

- KG49NVXDG
- Total noFrost - frost-free freezer and no condensation in fridge
- Brushed black steel anti-fingerprint Doors

Performance and consumption

- Energy Class: D
- Total Volume: 440 l
- Annual Energy Consumption: 223 kWh/a
- Noise Level : 35 dB , B Class

Design and Styling

- Doors Brushed black steel anti-fingerprint, side panels cast iron
- Integrated vertical handle
- LED with Soft Start in fridge section
- Metal backwall with multi airflow

Convenience & Safety

- Total noFrost - frost-free freezer and no condensation in fridge
- Twin LED electronic control
- Two Cooling Systems
- Super Cooling: automatic deactivation
- Optical and acoustic door open warning system
- Optical and acoustic warning system for malfunction of freezer compartment

Fridge Compartment

- Net Fridge Volume : 311 l
- Multi Airflow-System
- 5 PC safety glass shelves of which 3 are height adjustable
- 4 door bins, thereof 1 door bin(s) high
- Bottle storage: Bottle grid

Freshness System

- 1 hyperFresh $\rightarrow 0^{\circ}\text{C}$ box - fish and meat stay fresh for longer.
- 1 hyperFresh box with adjustable humidity - keeps fruit and vegetables fresh for longer.

Freezer

- Net Freezer Volume : 129 l
- Freezing capacity 24h: 11 kg
- Temperature rise time : 18 H
- Fast Freeze Facility
- 3 transparent freezer drawers

Dimensions

- Appliance Dimensions (H x W x D): 203 cm x 70 cm x 66.7 cm

Technical Information

- Door right hinged, reversible
- Height adjustable front feet
- Climate Class: SN-T

- Nominal voltage: 220 - 240 V
- Length of power cord: 231 cm

Accessories

- ice cube tray
- ice cube tray

Country Specific Options

- Based on the results of the standard 24-hour test. Actual consumption depends on usage/position of the appliance.

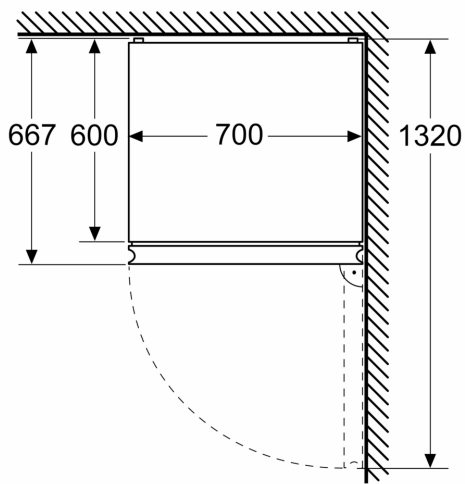
Environment and Safety

Installation

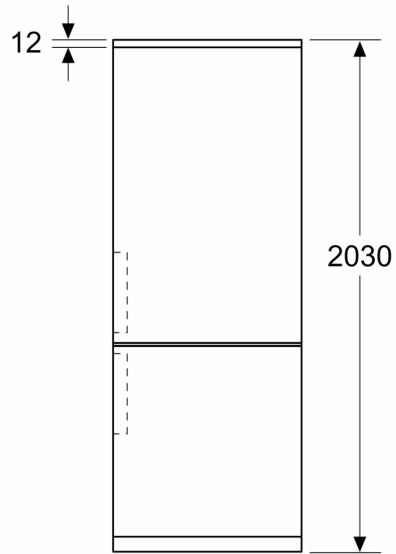
**iQ300, free-standing
fridge-freezer with freezer at
bottom, 203 x 70 cm, BlackSteel,
Total noFrost
KG49NVXDG**

Dimensioned drawings

Measurements in mm



Measurements in mm



Measurements in mm

