

iQ700, built-in fridge, 177.2 x 55.8 cm, soft close flat hinge KI81FHODO



Optional accessories

KSGGZM00 Butter box

The iQ700 built-in fridge that seamlessly integrates in your kitchen and allows you to effortlessly open thanks to openAssist with voice control and heavy duty hinge support for especially heavy door fronts.

- ✓ openAssist: Opens your fully integrated fridge on your command.
- ✓ hyperFresh Premium 0°C: Optimal storage for all your fresh ingredients.
- ✓ bottleRack: Store your bottles safely and in easy reach.
- ✓ softClosing: Your fridge door, always properly closed.
- ✓ superCooling: Fast cooling for your fresh food.

Features

Technical Data

Gross weight:	170.000 lbs
Energy Efficiency Class (Regulation (EU) 2017/1369) ¹ :	D
Average annual energy consumption in kilowatt hour per year (kWh/a) ² :	120 kWh/annum
Sum of volume of frozen compartments:	0 l
Sum of volume of chill compartments:	289 l
Airborne acoustical noise emissions :	36 dB(A) re 1pW
Airborne acoustical noise emission class:	C
Design:	Built-in
Number of compressors:	1
Number of independent cooling systems:	1
Width of the appliance:	558 mm
Height:	1772 mm
Depth:	545 mm
Net weight:	72.5 kg
Required niche size for installation (HxWxD):	1775x560x550 mm
Door panel options:	Not possible
Door hinge:	Right reversible
Number of Adjustable Shelves in fridge compartment:	6
Shelves for Bottles:	Yes
Frost free system:	Not applicable
Interior ventilator:	No
Reversible Door Hinge:	Yes
Length electrical supply cord:	230 cm
Noise level:	37 dB(A) re 1pW
Multi-Flow Air Tower:	No
Economy setting:	No
Cold technology:	1 compressor/1 cold circuit
Fast cooling switch:	Yes
Temperature Controlled Drawer:	No
Humidity Control Drawer:	Yes
Number of Door Bins - Refrigerator:	4
Door bin adjustability - Refrigerator:	Yes
Tilt-out door bins in fridge:	Yes
Gallon wide door bins:	Yes
Number of Gallon storage:	1
Motorized Shelf:	No
Material of the shelves:	Glas, plastic
Door opened indicator freezer:	No
Connection rating:	90 W
Fuse protection:	10 A
Voltage:	220-240 V
Frequency:	50 Hz
Freezing capacity:	0 kg
Door panel options:	Not possible
Installation typology:	Full-integrated
Noise level:	37 dB(A) re 1pW
ENERGY STAR® certified:	No

¹ Scale of Energy Efficiency Classes from A to G

² Based on the results of the standard 24-hour test. Actual consumption depends on usage/position of the appliance.

Plug type: Gardy plug w/ earthing
Required cutout/niche size for installation (in): x
Dimensions of the packed product: 72.44 x 24.01 x 25.19
Net weight: 160.000 lbs



iQ700, built-in fridge, 177.2 x 55.8 cm, soft close flat hinge KI81FHODO

Features

Technical data

Other data

- Product group: Refrigerator
- Brand: Siemens
- Product name / Commercial code: KI81FHODO
- Internal article number: KI81FHODO
- EAN code: 4242003911594
- Product category: Refrigerator
- Product type: One-door
- Design: Built-in
- Is this appliance intended to be built-in
- Installation typology: Full-integrated
- Door panel options: Not possible
- Connection rating: 90 W
- Fuse protection: 10 A
- Voltage: 220-240 V
- Frequency: 50 Hz
- Number of compressors: 1
- Plug type: Gardy plug w/ earthing
- Total unit gross capacity: 313 l
- Total unit gross capacity Iran: 11.1 Cu Ft
- Total unit net capacity: 289 l
- Total unit net capacity Iran: 10.2 Cu Ft
- Refrigerator Gross capacity: 313 l
- Refrigerator Gross capacity Iran: 11.1 Cu Ft
- Freezer Gross capacity: 0 l
- Star Rating: No
- Cellar Gross capacity: 0 l
- Number of independent cooling systems: 1
- Width of the appliance: 558 mm
- Depth: 545 mm
- Depth with open door 90 degree: 1140 mm
- Height of the packed product: 1840 mm
- Width of the packed product: 610 mm
- Depth of the packed product: 640 mm
- Minimum height for installation: 1775 mm
- Maximum height for installation: 1775 mm
- Minimum width for installation: 560 mm
- Maximum width for installation: 560 mm
- Depth for installation: 550 mm
- Gross weight: 77.0 kg
- Energy consumption annual - NEW (2010/30/EC): 132.00 kWh/annum
- Freezer Net capacity - NEW (2010/30/EC): 0 l
- Freezing capacity (kg/24h) (2010/30/EU): 0 kg/24h
- Refrigerator Net capacity: 289 l
- Freezing capacity: 0 kg

- Climate class: SN-T
- Minimum ambient temperature: 10 °C
- Maximum ambient temperature: 43 °C
- Noise level: 37 dB(A) re 1pW
- QR Code: [HTTPS://EPREL.EC.EUROPA.EU/QR/658030](https://eprel.ec.europa.eu/qr/658030)
- Energy Efficiency Class (Regulation (EU) 2017/1369)¹: D
- Airborne acoustical noise emissions : 36 dB(A) re 1pW
- Airborne acoustical noise emission class: C
- Average annual energy consumption in kilowatt hour per year (kWh/a)²: 120 kWh/annum
- Sum of volume of frozen compartments: 0 l
- Sum of volume of chill compartments: 289 l
- Product outside the scope of "low noise appliance" and "wine storage appliance"
- Climate Class: Extended temperate, Subtropical, Temperate, tropical
- Minimum ambient temperature: 10 °C
- Maximum ambient temperature: 43 °C
- Compartment Volume (Fresh Food): 206.0 l
- Compartment Volume (Chill): 83.0 l
- Recommended Temperature (Fresh Food): 4 °C
- Recommended Temperature (Chill): 2 °C
- Defrosting Type (Fresh Food): Automatic
- Defrosting Type (Chill): Automatic
- Total volume of the product: 289 l
- Energy Efficiency Index: 79
- Fresh food
- Chill
- List compartments: Chill, Fresh food
- Energy Efficiency Class for Light Regulation (light source 1) (EU 2019/1805): F
- Lighting technology used (light source 1) (EU 2019/1805): LED
- Energy Efficiency Class for Light Regulation (light source 2) (EU 2019/1805): F
- Lighting technology used (light source 2) (EU 2019/1805): LED
- Warning signal / malfunction: No signal
- Defrost process fridge section: Automatic
- Fast cooling switch
- Door opened indicator fridge
- Temperature adjustable
- Door hinge: Right reversible
- Cover door installation system: Fixed-mounted
- Freezing drawers (Stck): 0
- Number of freezing flaps (Stck): 0
- Shelves for Bottles
- Number of shelves in fridge compartment: 7
- Number of Adjustable Shelves in fridge compartment: 6
- Material of the shelves: Glas, plastic
- Included accessories: 1 x bottle holder in door tray, 1 x Heavy-duty

Features

- hinge support
- Optional accessories: KSGGZM00
- Reversible Door Hinge
- Height: 1772 mm
- Dimensions of the packed product (HxWxD): 1840x610x640 mm
- Required niche size for installation (HxWxD): 1775x560x550 mm
- No. of door shelves: 5
- Cold appliance: Isobutane
- Width: 56 cm
- Height: 177 cm
- Depth: 54 cm
- Dimensions of the packed product: 184 x 61 x 64 cm
- Dimensions of the packed product: 72.44 x 24.01 x 25.19
- Width of the packed product: 24.02 "
- Depth of the packed product: 25.2 "
- Height of the packed product: 72.44 "
- Required cutout/niche size for installation (in): x
- Net weight: 160.000 lbs
- Gross weight: 170.000 lbs
- Interior light
- Kind of interior light: LED light
- Light
- Number of Door Bins - Refrigerator: 4
- Door bin adjustability - Refrigerator
- Tilt-out door bins in fridge
- Gallon wide door bins
- Number of Gallon storage: 1
- Light Wattage - Refrigerator: LED with soft start
- Humidity Control Drawer
- Cold technology: 1 compressor/1 cold circuit
- Shelf Adjustability - Freezer
- Door handle type: no handle
- Energy efficiency rating China: X
- No. of temperature zones fridge: 3
- Communication technology: wifi
- Remote access
- Remote update
- Capability of wireless communication: Yes, with accessory included
- Product Class: iQ700
- Energy label version: 2017
- Type of appliance width: 55 cm
- Hinge type: soft close flat hinge
- Width type US: 22 Inch
- Connectivity type: Wi-Fi
- Home Connect Features: Remote Monitoring and Control
- Net weight: 72.5 kg
- Connected appliances with Home Connect^{3, 4}
- Height: 177 cm
- Door Open Assist
- Height of the appliance: 1772 mm
- Height: 177.2 cm
- softclosingdoor
- Noise level: Extremely silent
- Keeps food fresh longer
- Supplier address TR19: BSH Ev Aletleri Sanayi ve Ticaret A.Ş. FSM Mah. Balkan Cad. 51, 34771 Ümraniye İstanbul, Türkiye<
- Fixed hinge<
- freshSense<
- LED light<
- Household refrigerating appliances categories: Refrigerator-chiller and Refrigerator with a 0-star compartment<
- EAN Barcode: '!2E20AD-jbbfje!<
- CPH-Code: A31201303414AALAJX<
- Business field: A31<
- Product Series Key: Fridge with 0°-zone (1 door / 2 zones)<
- Statistical number: 84182159<
- Country of origin: DE<
- Construction Type Group: Built in<
- Made in Germany<
- Energieeffizienzklasse -TSE: X<
- EU category of the household refrigerating appliance model (2010/30/EC): 3<
- Dim light<
- EAN14: 14242003911591<
- Supercooling<
- Vario shelf<
- Series US: Flush<
- Power input: 220-240V, 50Hz<
- Product Series Key (technical value): AAL<
- Product division: PRF<
- Type of bottle rack: 1 bottle support grid<
- easyAccess shelves<
- hyperFresh Premium 0°C<
- Dimensions: 1772x558x545 mm<
- Depth: 54.5 cm<
- Total capacity of 1-star, 2-star, 3-star and 4-star freezer compartments: 0 l<
- Chemical Tax Classification: 0 %<
- Width of the appliance: 55.8 cm<
- Length electrical supply cord: 230 cm<
- Type of control setting and signalling devices: Button, Via app<
- Cheese compartment<
- Meat compartment<
- Beverages compartment<
- Vegetable compartment<
- Type of control: Electronic<
- Thermometer fridge section: Digital<
- Product name/family: 0°-zone + colling zone<
- Chemical tax Sweden: 100% full tax<
- Isolation gas: Pentane<
- Chemical tax included<
- MFRNR-code: 0001000016<
- Typology: K<
- Manufacturer: BSH FCLG Giengen<
- HEADER4: 177.2 x 55.8 cm<

Features

- Main product group (MDA, SDA, ACC, OTH): MDA
- HEADER6: K181FHOD0
- Main colour of product: Not applicable
- Volume packaging (dm3): 718.336
- Voltage Maximum: 240 V
- Frequency maximum: 50 Hz
- Frequency Minimum: 50 Hz
- Voltage Minimum: 220 V
- The highest star rating: 0
- Freshness system: hyperFresh Premium 0°C
- HEADERS5:
- EPREL registration number: 658030
- Distribution line: studioLine
- Ikea compatible
- Product Compare Family: Cooling
- Type of indication:
- Type of display: 7-segment display
- Body material: Metal sheets
- List of modifyable functions and/or options: Cooling temperature
- Safety device: Not applicable
- List of warnings: Open door of fridge compartment
- Number of containers in the fridge: 3
- Included user manuals: [DA, DE, EL, EN, ES, FI, FR, IT, NL, NO, PT, SV]
- EU data act type: A
- Door-opening sensor
- Humidifying equipment: false
- Possibility of Voice Control: Yes, with optional accessory
- Energy efficiency class: D

¹ Scale of Energy Efficiency Classes from A to G

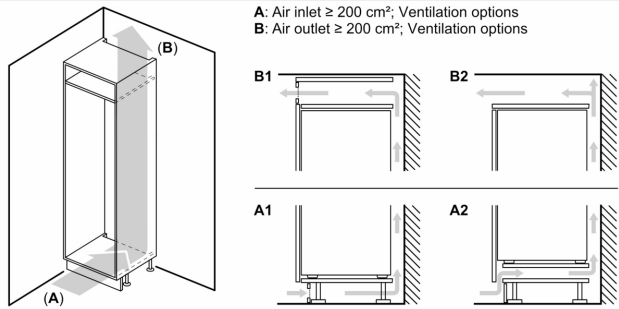
² Based on the results of the standard 24-hour test. Actual consumption depends on usage/position of the appliance.

³ From time to time we provide updates to preserve the functionalities of your connected home appliance (especially security updates). You know such updates from your smartphone. If you want to be informed when such an update is ready for your Home Connect enabled appliance, please proceed as follows: Download the Home Connect App. Register and connect the appliance in the App. More information will then be available in the Home Connect App.

⁴ Some of the features displayed can be accessed only if the device is connected to a Home Connect Account and a SingleKey ID account via the Internet. Home Connect is a service of Home Connect GmbH. For more information on Home Connect, visit www.home-connect.com.

iQ700, built-in fridge, 177.2 x 55.8 cm, soft close flat hinge
KI81FHOD0

Dimensioned drawings

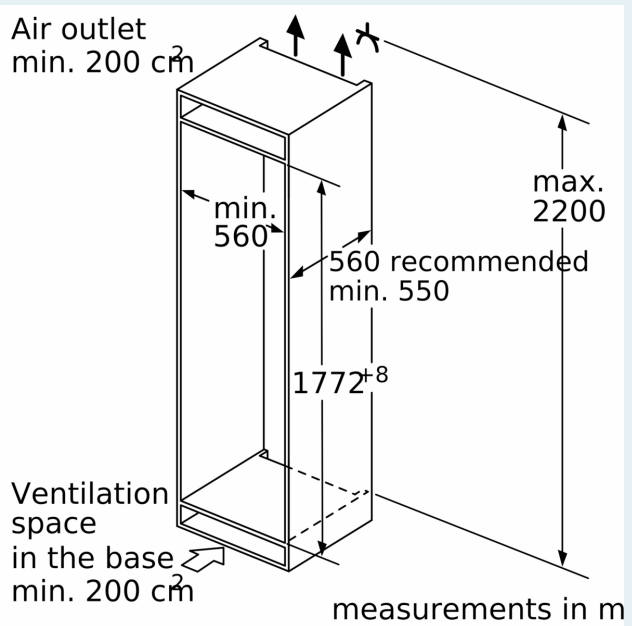
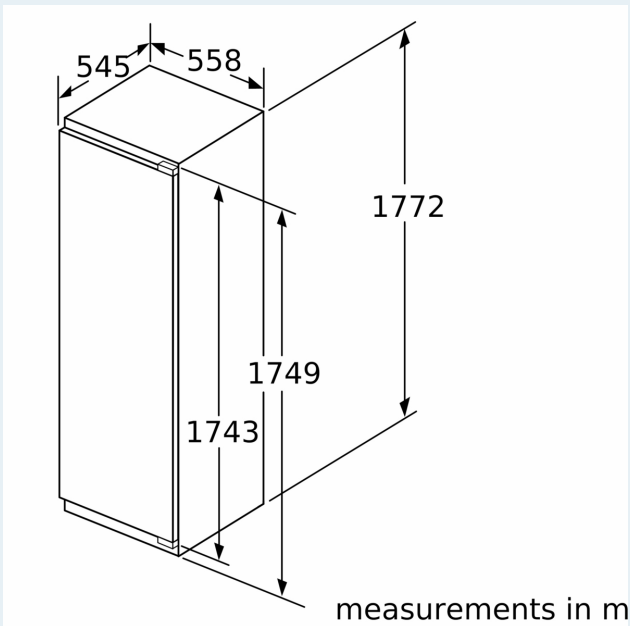


Maximal permissible weight of the unit fronts

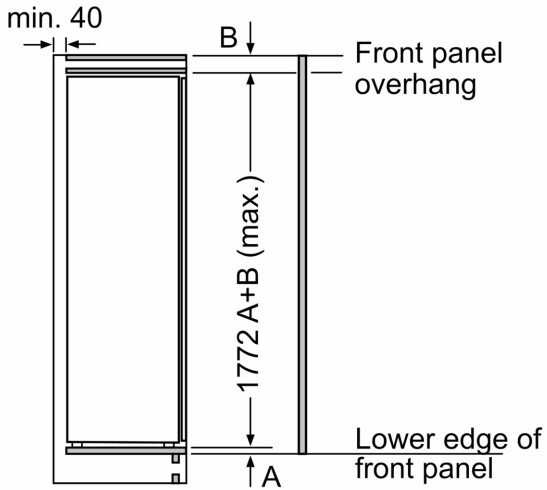
Fitted unit fronts that exceed the permissible weight may cause damage and result in functional impairment of the hinges

W: Weight
A: Appliance door height including hinges in mm
B: Undamped hinge, unit front in kg
C: Damped hinge, unit front in kg
D: Additional possible load in kg with heavy load kit

A	B	C	D
1500-1750	22	22	B+5 / C+5
720-1400	19	19	
A1	15	19	
A2	15	19	

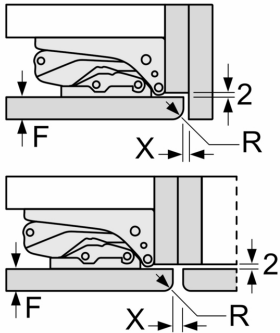


Dimensioned drawings



measurements in mm

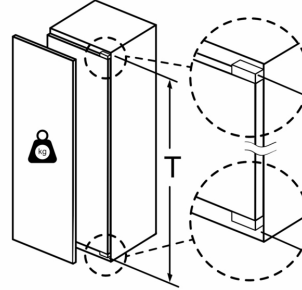
measurements in mm
Recommended gap dimensions for flat hinges



F	R	X
16-19	0-3	2.5
20	0-1	3
	2-3	2.5
21	0-1	3
	2-3	2.5
22	0	4
	1	3.5
	2-3	3

The gap dimensions recommended in the table must be adhered to in order to ensure that appliance doors do not collide with anything when they are opened, and to avoid causing damage to kitchen units.

Maximal permissible weight of the unit fronts



Fitted kitchen unit doors that exceed the permissible weight may cause damage and result in functional impairment of the hinges.

T: Includes height of appliance door Hinges in mm:	undamped hinge, Door in kg:	damped hinge, Door in kg:
1500-1750	22	22