

**iQ500, built-in fridge, 177.2 x 55.8 cm, soft close flat hinge  
KI81RSDC0**



Optional accessories	
KSGGZM00	Butter box

Built-in refrigerator with bright LED Light, hyperFresh <math>0^{\circ}\text{C}</math> drawer, fast cool down function and soft closing doors.

- ✓ hyperFresh <math>0^{\circ}\text{C}</math>: More space for fruit and vegetables. A cold climate for fish and meat.
- ✓ LED light: Even lighting throughout the interior allows for easy visibility of all items.
- ✓ superCooling: Fast cooling for your fresh food.
- ✓ doorAlarm: Reminds you to close the door and keep the cold inside.
- ✓ softClosing: Your fridge door, always properly closed.

**Features**

Technical Data	
Gross weight:	151.000 lbs
Energy Efficiency Class (Regulation (EU) 2017/1369) <sup>1</sup> :	C
Average annual energy consumption in kilowatt hour per year (kWh/a) <sup>2</sup> :	73 kWh/annum
Sum of volume of frozen compartments:	0 l
Sum of volume of chill compartments:	310 l
Airborne acoustical noise emissions :	34 dB(A) re 1pW
Airborne acoustical noise emission class:	B
Design:	Built-in
Number of compressors:	1
Number of independent cooling systems:	1
Width of the appliance:	558 mm
Height:	1772 mm
Depth:	548 mm
Net weight:	64.1 kg
Required niche size for installation (HxWxD):	1775x560x550 mm
Door panel options:	Not possible
Door hinge:	Right reversible
Number of Adjustable Shelves in fridge compartment:	5
Shelves for Bottles:	Yes
Frost free system:	Not applicable
Interior ventilator:	Yes
Reversible Door Hinge:	Yes
Length electrical supply cord:	230 cm
Multi-Flow Air Tower:	No
Economy setting:	No
Fast cooling switch:	Yes
Temperature Controlled Drawer:	No
Humidity Control Drawer:	No
Number of Door Bins - Refrigerator:	4
Door bin adjustability - Refrigerator:	Yes
Tilt-out door bins in fridge:	No
Gallon wide door bins:	Yes
Number of Gallon storage:	2
Motorized Shelf:	No
Material of the shelves:	Glas
Door opened indicator freezer:	No
Fuse protection:	10 A
Voltage:	220-240 V
Frequency:	50 Hz
Door panel options:	Not possible
Installation typology:	Full-integrated
ENERGY STAR® certified:	No
Plug type:	Gardy plug w/ earthing
Required cutout/niche size for installation (in):	x
Dimensions of the packed product:	72.44 x 24.01 x 25.19
Net weight:	141.000 lbs

<sup>1</sup> Scale of Energy Efficiency Classes from A to G  
<sup>2</sup> Based on the results of the standard 24-hour test. Actual consumption depends on usage/position of the appliance.



## iQ500, built-in fridge, 177.2 x 55.8 cm, soft close flat hinge KI81RSDC0

### Features

- KI81RSDC0
- Built-in-/under-refrigerator 1-door
- easy Installation
- Flat hinge, Soft closing: yes

#### Performance and consumption

- Energy Class: C
- Total Volume: 310 l
- Annual Energy Consumption: 73 kWh/a
- Noise Level : 34 dB , B Class

#### Design and Styling

- LED interior light in fridge section

#### Convenience & Safety

- LED electronic control
- Super Cooling: automatic deactivation

#### Fridge Compartment

- Net Fridge Volume : 310 l
- 2 door bin(s) high, 2 door bin(s) small
- 1 Dairy Compartment
- 7 PC safety glass shelves of which 5 are height adjustable
- 1 foldable garage plate 1 PC
- Bottle storage: Bottle grid

#### Freshness System

- 1 hyperFresh box with adjustable humidity - keeps fruit and vegetables fresh for longer.
- 1 Fresh box
- 1 hyperFresh <0°C> box - keeps fish and meat longer fresh

#### Freezer

#### Dimensions

- Appliance Dimensions ( H x W x D): 177.2 cm x 55.8 cm x 54.8 cm
- Niche Dimension (H x W x D): 177.5 cm x 56.0 cm x 55.0 cm

#### Technical Information

- Length of power cord: 230 cm
- Climate Class: SN-ST
- Nominal voltage: 220 - 240 V

#### Accessories

- Heavy-duty hinge support
- Heavy-duty hinge support

#### Country Specific Options

- Based on the results of the standard 24-hour test. Actual consumption depends on usage/position of the appliance.

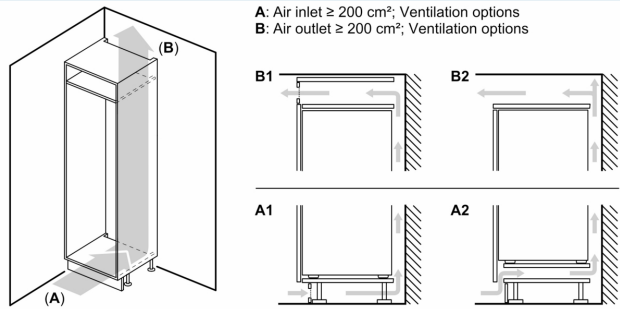
#### Environment and Safety

#### Installation

#### General Information

iQ500, built-in fridge, 177.2 x 55.8 cm, soft close flat hinge  
KI81RSDC0

Dimensioned drawings



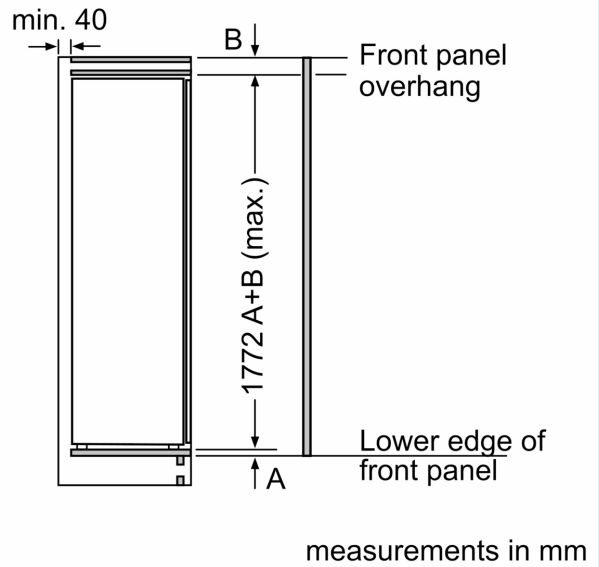
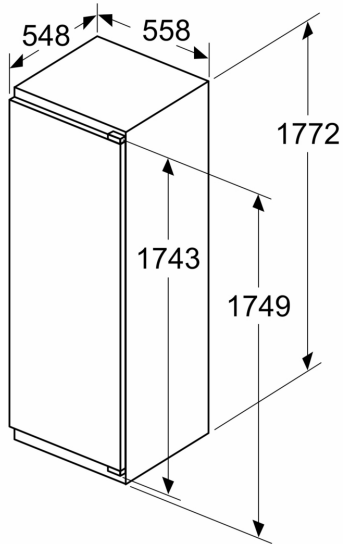
**Maximal permissible weight of the unit fronts**

Fitted unit fronts that exceed the permissible weight may cause damage and result in functional impairment of the hinges

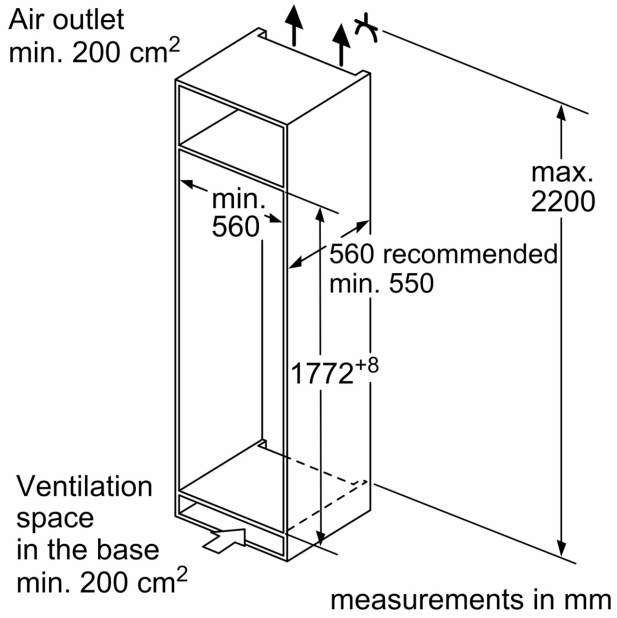
**Δ** Weight  
**A:** Appliance door height including hinges in mm  
**B:** Undamped hinge, unit front in kg  
**C:** Damped hinge, unit front in kg  
**D:** Additional possible load in kg with heavy load kit

A	B	C	D
1500-1750	22	22	B+5 / C+5
720-1400	19	19	
A1	15	19	
A2	15	19	

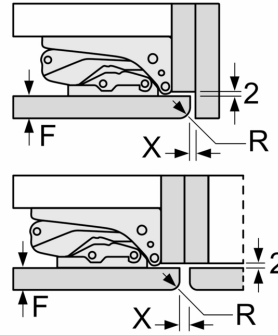
Measurements in mm



Dimensioned drawings



measurements in mm  
Recommended gap dimensions for flat hinges



F	R	X
16-19	0-3	2.5
20	0-1	3
	2-3	2.5
21	0-1	3
	2-3	2.5
22	0	4
	1	3.5
	2-3	3

The gap dimensions recommended in the table must be adhered to in order to ensure that appliance doors do not collide with anything when they are opened, and to avoid causing damage to kitchen units.