

## iQ300, built-in fridge, 177.2 x 54.1 cm, flat hinge KI81RVFEO



The built-in fridge with Fresh drawer for fruit and vegetables, fast cool down function and bright LED light provides ideal storage.

- ✓ LED light: Even lighting throughout the interior allows for easy visibility of all items.
- ✓ superCooling: Fast cooling for your fresh food.
- ✓ bottleRack: Store your bottles safely and in easy reach.
- ✓ safetyGlass shelves: Extra strong and easy to clean safety glass.
- ✓ Made in Germany – A promise of top quality, state-of-the-art design and innovative features.

### Features



Optional accessories	
KSGGZM00	Butter box

.....

Gross weight: ..... 128.000 lbs  
 Energy Efficiency Class (Regulation (EU) 2017/1369)<sup>1</sup>: ..... E  
 Average annual energy consumption in kilowatt hour per year (kWh/a)<sup>2</sup>: ..... 114 kWh/annum  
 Sum of volume of frozen compartments: ..... 0 l  
 Sum of volume of chill compartments: ..... 310 l  
 Airborne acoustical noise emissions : ..... 35 dB(A) re 1pW  
 Airborne acoustical noise emission class: ..... B  
 Design: ..... Built-in  
 Number of compressors: ..... 1  
 Number of independent cooling systems: ..... 1  
 Width of the appliance: ..... 541 mm  
 Height: ..... 1772 mm  
 Depth: ..... 548 mm  
 Net weight: ..... 53.7 kg  
 Required niche size for installation (HxWxD): .... 1775x560x550 mm  
 Door panel options: ..... Not possible  
 Door hinge: ..... Right reversible  
 Number of Adjustable Shelves in fridge compartment: ..... 5  
 Shelves for Bottles: ..... Yes  
 Frost free system: ..... Not applicable  
 Interior ventilator: ..... Yes  
 Reversible Door Hinge: ..... Yes  
 Length electrical supply cord: ..... 230 cm  
 Multi-Flow Air Tower: ..... No  
 Economy setting: ..... No  
 Cold technology: ..... 1 compressor/1 cold circuit  
 Fast cooling switch: ..... Yes  
 Temperature Controlled Drawer: ..... No  
 Humidity Control Drawer: ..... No  
 Number of Door Bins - Refrigerator: ..... 5  
 Door bin adjustability - Refrigerator: ..... Yes  
 Tilt-out door bins in fridge: ..... Yes  
 Gallon wide door bins: ..... Yes  
 Number of Gallon storage: ..... 2  
 Motorized Shelf: ..... No  
 Material of the shelves: ..... Glas  
 Door opened indicator freezer: ..... No  
 Fuse protection: ..... 10 A  
 Voltage: ..... 220-240 V  
 Frequency: ..... 50 Hz  
 Door panel options: ..... Not possible  
 Installation typology: ..... Full-integrated  
 ENERGY STAR® certified: ..... No  
 Plug type: ..... GARDY plug w/ earthing  
 Required cutout/niche size for installation (in): ..... x  
 Dimensions of the packed product: ..... 72.44 x 24.01 x 25.19  
 Net weight: ..... 118.000 lbs



<sup>1</sup> Scale of Energy Efficiency Classes from A to G

<sup>2</sup> Based on the results of the standard 24-hour test. Actual consumption depends on usage/position of the appliance.

## iQ300, built-in fridge, 177.2 x 54.1 cm, flat hinge KI81RVFEO

### Features

#### Performance and consumption

- Energy Class: E
- Total Volume: 310 l
- Net Fridge Volume : 310 l
- Annual Energy Consumption: 114 kWh/a
- Noise Level : 35 dB , B Class

#### Design and Styling

- LED interior light in fridge section

#### Convenience & Safety

- LED electronic control
- Super Cooling: automatic deactivation
- Optical and acoustic door open warning system

#### Fridge Compartment

- 6 safety glass shelves, thereof 5 height adjustable, Standard
- 5 door bins, thereof 0 dairy compartment and 2 bottle door bin(s) high
- Bottle storage: Bottle grid

#### Freshness System

- 2 Fresh boxes

#### Freezer

#### Dimensions

- Appliance Dimensions ( H x W x D): 177.2 cm x 54.1 cm x 54.8 cm
- Niche Dimension (H x W x D): 177.5 cm x 56.0 cm x 55.0 cm

#### Technical Information

- Length of power cord: 230 cm
- Climate Class: SN-ST
- Nominal voltage: 220 - 240 V

#### Accessories

- Heavy-duty hinge support
- Heavy-duty hinge support

#### Country Specific Options

- Based on the results of the standard 24-hour test. Actual consumption depends on usage/position of the appliance.

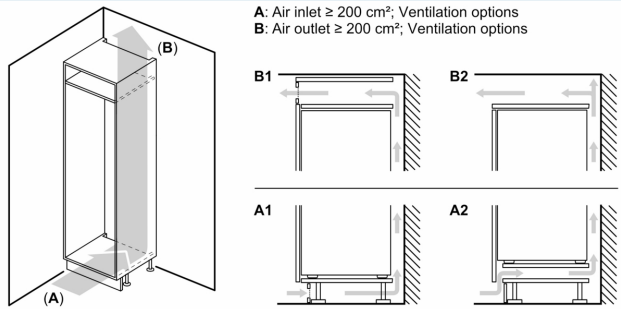
#### Environment and Safety

#### Installation

#### General Information

iQ300, built-in fridge, 177.2 x 54.1 cm, flat hinge  
KI81RVFE0

Dimensioned drawings

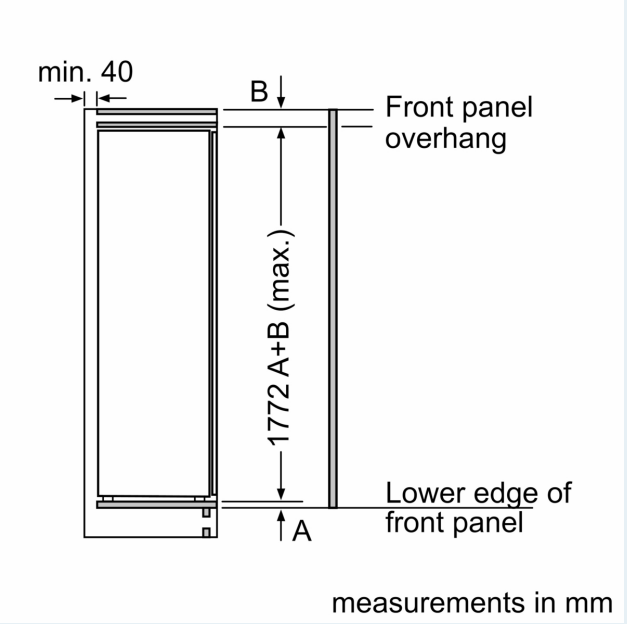
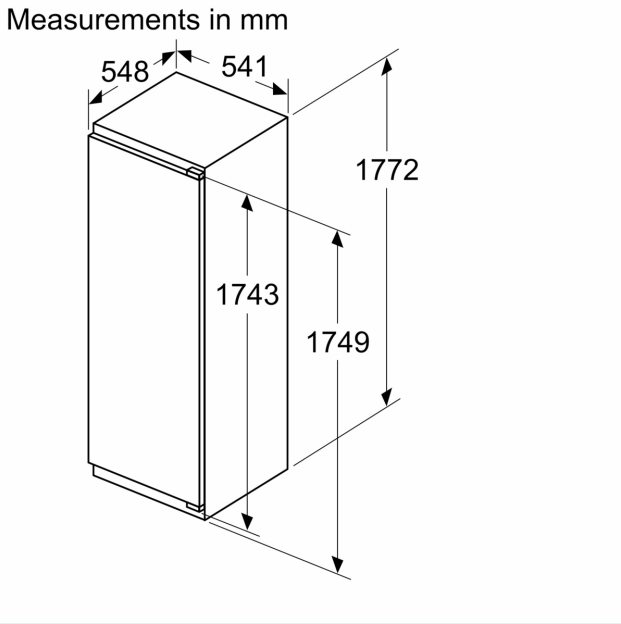


**Maximal permissible weight of the unit fronts**

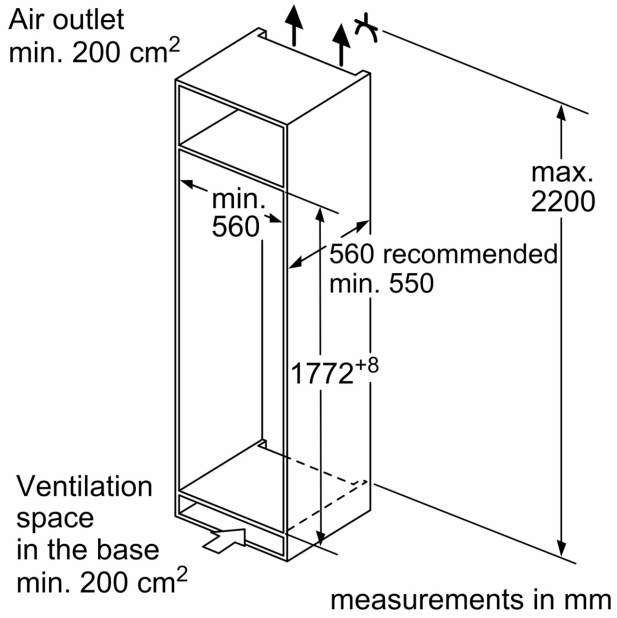
Fitted unit fronts that exceed the permissible weight may cause damage and result in functional impairment of the hinges

**Δ** Weight  
**A:** Appliance door height including hinges in mm  
**B:** Undamped hinge, unit front in kg  
**C:** Damped hinge, unit front in kg  
**D:** Additional possible load in kg with heavy load kit

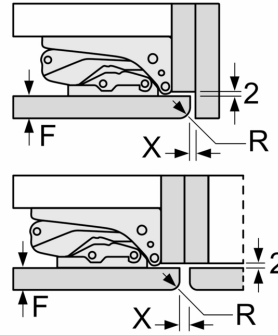
A	B	C	D
1500-1750	22	22	B+5 / C+5
720-1400	19	19	
A1	15	19	
A2	15	19	



Dimensioned drawings



measurements in mm  
Recommended gap dimensions for flat hinges



F	R	X
16-19	0-3	2.5
20	0-1	3
	2-3	2.5
21	0-1	3
	2-3	2.5
22	0	4
	1	3.5
	2-3	3

The gap dimensions recommended in the table must be adhered to in order to ensure that appliance doors do not collide with anything when they are opened, and to avoid causing damage to kitchen units.