

**iQ300, built-in fridge-freezer with freezer at bottom, 193.5 x 55.8 cm, flat hinge
KI96NSFD0**



The extra large built-in fridge freezer with 11% more cooling volume including hyperFresh <0°C> system, No Frost and fast cooling and freezing functions for optimal storage.

- ✓ Large volume: 11% more space to store your entire weekly groceries.
- ✓ hyperFresh <0°C>: More space for fruit and vegetables. A cold climate for fish and meat.
- ✓ autoAirflow – Ideal air circulation and even cooling at all levels for longer freshness.
- ✓ noFrost: Never defrost your freezer again.
- ✓ superFreezing: Quickly freezes even large amounts of food.

Features

Technical Data

Energy Efficiency Class (Regulation (EU) 2017/1369) ¹ :	D
Average annual energy consumption in kilowatt hour per year (kWh/a) ² :	184 kWh/annum
Sum of volume of frozen compartments:	75 l
Sum of volume of chill compartments:	215 l
Airborne acoustical noise emissions :	34 dB(A) re 1pW
Airborne acoustical noise emission class:	B
Design:	Built-in
Number of compressors:	1
Number of independent cooling systems:	2
Width of the appliance:	558 mm
Height:	1935 mm
Depth:	548 mm
Net weight:	62.2 kg
Required niche size for installation (HxWxD):	1940x560x550 mm
Door panel options:	Not possible
Door hinge:	Right reversible
Number of Adjustable Shelves in fridge compartment:	3
Shelves for Bottles:	Yes
Frost free system:	Freezer
Interior ventilator:	No
Reversible Door Hinge:	Yes
Length electrical supply cord:	230 cm
Multi-Flow Air Tower:	No
Fast cooling switch:	Yes
Fast freezing function:	Yes
Temperature Controlled Drawer:	No
Humidity Control Drawer:	No
Number of Door Bins - Refrigerator:	4
Door bin adjustability - Refrigerator:	Yes
Tilt-out door bins in fridge:	Yes
Gallon wide door bins:	Yes
Number of Gallon storage:	1
Motorized Shelf:	No
Material of the shelves:	Safety glass
Door opened indicator freezer:	No
Automatic motor-driven ice-maker:	No
Fuse protection:	10 A
Voltage:	220-240 V
Frequency:	50 Hz
Storage Period in Event of Power Failure (h):	11 h
Door panel options:	Not possible
ENERGY STAR® certified:	No
Plug type:	Gardy plug w/ earthing
Required cutout/niche size for installation (in):	x
Dimensions of the packed product:	79.52 x 24.40 x 24.80
Net weight:	137.000 lbs

Optional accessories

KSGGZM00 Butter box

¹ Scale of Energy Efficiency Classes from A to G

² Based on the results of the standard 24-hour test. Actual consumption depends on usage/position of the appliance.

Gross weight: 147.000 lbs



iQ300, built-in fridge-freezer with freezer at bottom, 193.5 x 55.8 cm, flat hinge KI96NSFD0

Features

Performance and consumption

- Energy Class: D
- Total Volume: 290 l
- Annual Energy Consumption: 184 kWh/a
- Noise Level : 34 dB , B Class

Design and Styling

- LED interior light in fridge section
- Built-in-refrigerator 2-door, Bottom Fre

Convenience & Safety

- No Frost
- Fast Freeze Facility
- Twin LED electronic control
- Two Cooling Systems
- Super Cooling: automatic deactivation
- Optical and acoustic door open warning system
- Automatic defrost in fridge section

Fridge Compartment

- Net Fridge Volume : 215 l
- 4 safety glass shelves, thereof 3 height adjustable, Standard
- 1 door bin(s) high, 3 door bin(s) small
- Bottle storage: Bottle grid

Freshness System

- 1 hyperFresh box with adjustable humidity - keeps fruit and vegetables fresh for longer.
- 1 hyperFresh <0°C> box - keeps fish and meat longer fresh

Freezer

- Net Freezer Volume : 75 l
- Freezing capacity 24h: 8 kg
- Temperature rise time : 11 H
- 3 transparent freezer drawers

Dimensions

- Appliance Dimensions (H x W x D): 193.5 cm x 55.8 cm x 54.8 cm
- Niche Dimension (H x W x D): 194.0 cm x 56.0 cm x 55.0 cm

Technical Information

- Door right hinged, reversible
- Length of power cord: 230 cm
- Climate Class: SN-ST
- Nominal voltage: 220 - 240 V

Accessories

- ice cube tray
- ice cube tray

Country Specific Options

- Based on the results of the standard 24-hour test. Actual consumption depends on usage/position of the appliance.

Environment and Safety

Installation

General Information

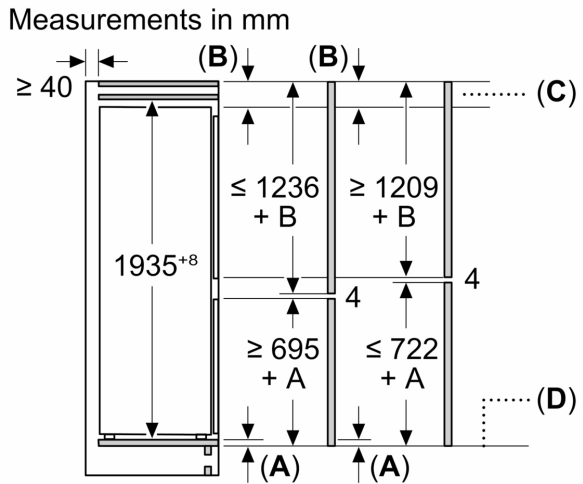
- Without Illumination
- side-by-side capable
- Side-by-Side Enabler: no

iQ300, built-in fridge-freezer with freezer at bottom, 193.5 x 55.8 cm, flat hinge KI96NSFD0

Dimensioned drawings

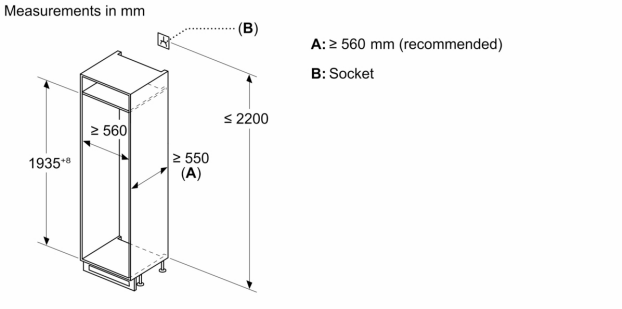
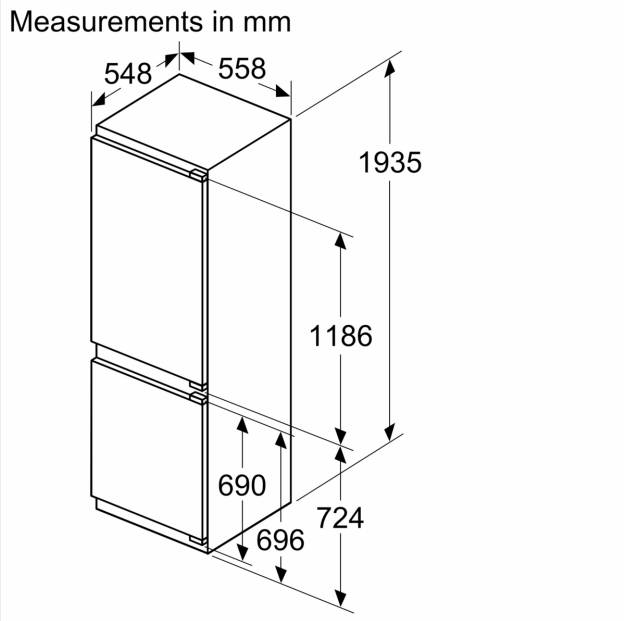
Maximal permissible weight of the unit fronts
 Fitted unit fronts that exceed the permissible weight may cause damage and result in functional impairment of the hinges
 Δ Weight
 A: Appliance door height including hinges in mm
 B: Undamped hinge, unit front in kg
 C: Damped hinge, unit front in kg
 D: Additional possible load in kg with heavy load kit

A	B	C	D
1500-1750	22	22	
720-1400	19	19	B+5 / C+5
A1	15	19	
A2	15	19	



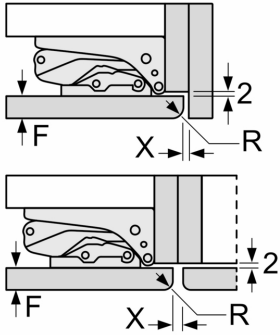
C: Front panel overhang

D: Lower edge of front panel



Dimensioned drawings

measurements in mm
Recommended gap dimensions for flat hinges



F	R	X
16-19	0-3	2.5
20	0-1	3
	2-3	2.5
21	0-1	3
	2-3	2.5
22	0	4
	1	3.5
	2-3	3

The gap dimensions recommended in the table must be adhered to in order to ensure that appliance doors do not collide with anything when they are opened, and to avoid causing damage to kitchen units.