

## iQ500, built-under fridge with freezer section, 82 x 59.8 cm, soft close flat hinge KU22LADD0



### Optional accessories

KF10ZAX0	Door panel with decor frame
KSZGGM00	Butter box
KU20ZSX0	Attachment door, stainless steel

Compact built-under fridge with 4-star freezer section for freshness throughout: climate-controlled area, easy access and Door Alarm.

- ✓ storagePlus <0°C> – Extra storage space and close to 0° C drawer for meat and fish in the base area.
- ✓ LED light: Even lighting throughout the interior allows for easy visibility of all items.
- ✓ doorAlarm: Reminds you to close the door and keep the cold inside.
- ✓ Made in Germany – A promise of top quality, state-of-the-art design and innovative features.
- ✓ superCooling: Fast cooling for your fresh food.

### Features

#### Technical Data

Gross weight:	75.000 lbs
Energy Efficiency Class (Regulation (EU) 2017/1369) <sup>1</sup> :	D
Average annual energy consumption in kilowatt hour per year (kWh/a) <sup>2</sup> :	119 kWh/annum
Sum of volume of frozen compartments:	17 l
Sum of volume of chill compartments:	93 l
Airborne acoustical noise emissions :	35 dB(A) re 1pW
Airborne acoustical noise emission class:	B
Design:	Built-in
Number of compressors:	1
Number of independent cooling systems:	1
Width of the appliance:	598 mm
Height:	820 mm
Depth:	548 mm
Net weight:	31.1 kg
Required niche size for installation (HxWxD):	820x600x550 mm
Door panel options:	Not possible
Door hinge:	Right reversible
Number of Adjustable Shelves in fridge compartment:	1
Shelves for Bottles:	Yes
Frost free system:	Not applicable
Interior ventilator:	No
Reversible Door Hinge:	Yes
Length electrical supply cord:	230 cm
Multi-Flow Air Tower:	No
Economy setting:	Yes
Fast cooling switch:	Yes
Temperature Controlled Drawer:	No
Humidity Control Drawer:	No
Number of Door Bins - Refrigerator:	3
Door bin adjustability - Refrigerator:	Yes
Tilt-out door bins in fridge:	No
Gallon wide door bins:	Yes
Number of Gallon storage:	1
Motorized Shelf:	No
Material of the shelves:	Glas
Door opened indicator freezer:	No
Fuse protection:	10 A
Voltage:	220-240 V
Frequency:	50 Hz
Storage Period in Event of Power Failure (h):	9 h
Door panel options:	Not possible
Installation typology:	Full-integrated
ENERGY STAR® certified:	No
Plug type:	Gardy plug w/ earthing
Required cutout/niche size for installation (in):	x

<sup>1</sup> Scale of Energy Efficiency Classes from A to G

<sup>2</sup> Based on the results of the standard 24-hour test. Actual consumption depends on usage/position of the appliance.

Dimensions of the packed product: ..... 35.03 x 25.78 x 24.60  
Net weight: ..... 69.000 lbs



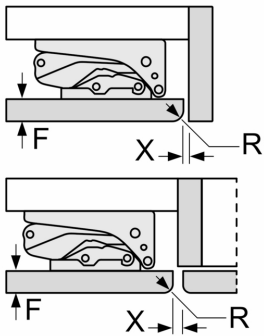
## iQ500, built-under fridge with freezer section, 82 x 59.8 cm, soft close flat hinge KU22LADD0

Features	
<p><b>Performance and consumption</b></p> <ul style="list-style-type: none"> <li>• Energy Class: D</li> <li>• Total Volume: 110 l</li> <li>• Annual Energy Consumption: 119 kWh/a</li> <li>• Climate Class: SN-T</li> <li>• Noise Level : 35 dB , B Class</li> </ul> <p><b>Design and Styling</b></p> <ul style="list-style-type: none"> <li>• Illumination: LED with Soft Start</li> </ul> <p><b>Convenience &amp; Safety</b></p> <ul style="list-style-type: none"> <li>• LED electronic control</li> <li>• Optical and acoustic door open warning system</li> <li>• Special mode(s): Economy setting, Fresh mode, Sabbath mode</li> <li>• Connected appliance: Remote Monitoring and Control, iService Remote</li> <li>• Super Cooling: automatic deactivation</li> <li>• Automatic defrost in fridge section</li> <li>• Easy clean interior</li> </ul> <p><b>Fridge Compartment</b></p> <ul style="list-style-type: none"> <li>• Net Fridge Volume : 93 l</li> <li>• 1 safety glass shelves</li> <li>• 3 door bins, thereof 1 door bin(s) high</li> <li>• Bottle holder in x-deep door bin high</li> <li>• Bottle storage: 1 2-wave bottle rack, plastic</li> <li>• Bottom comp. with sliding lid: separated storage area e.g. for bottles</li> </ul> <p><b>Freshness System</b></p> <ul style="list-style-type: none"> <li>• 1 hyperFresh &lt;0°C&gt; box - keeps fish and meat longer fresh</li> </ul> <p><b>Freezer</b></p> <ul style="list-style-type: none"> <li>• 1 hinged freezer compartment</li> <li>• Net Freezer Volume : 17 l</li> <li>• Temperature rise time : 9 H</li> <li>• Fast Freeze Facility</li> <li>• Freezing capacity 24h: 3 kg</li> <li>• Freezer compartment suited for Pizzas</li> </ul> <p><b>Technical Information</b></p> <ul style="list-style-type: none"> <li>• Door right hinged, reversible</li> <li>• built under, fully integrated</li> <li>• Ventilation in plinth, no cut-out in the countertop necessary</li> <li>• Length of power cord: 230 cm</li> <li>• Nominal voltage: 220 - 240 V</li> </ul> <p><b>Dimensions</b></p> <ul style="list-style-type: none"> <li>• Niche Dimension (H x W x D): 82.0 cm x 60.0 cm x 55.0 cm</li> <li>• Appliance Dimensions ( H x W x D): 82 cm x 59.8 cm x 54.8 cm</li> </ul> <p><b>Accessories</b></p> <ul style="list-style-type: none"> <li>• Accessories: 1 x ice cube tray</li> </ul>	<p><b>Country Specific Options</b></p> <ul style="list-style-type: none"> <li>• Based on the results of the standard 24-hour test. Actual consumption depends on usage/position of the appliance.</li> </ul> <p><b>General Information</b></p> <ul style="list-style-type: none"> <li>• Matter Product ID: Cooling with SMM M2</li> </ul>

**iQ500, built-under fridge with  
freezer section, 82 x 59.8 cm, soft  
close flat hinge  
KU22LADD0**

Dimensioned drawings

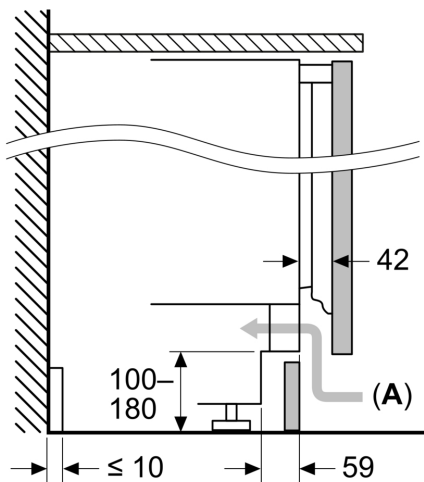
measurements in mm  
Recommended gap dimensions for flat hinges



F	R	X
16-19	0-3	2.5
20	0-1	3
21	2-3	2.5
	0-1	3
22	2-3	2.5
	0	4
	1	3.5
	2-3	3

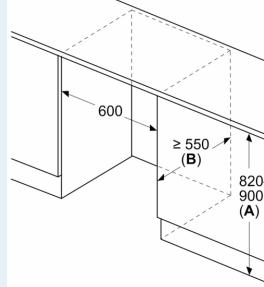
The gap dimensions recommended in the table must be adhered to in order to ensure that appliance doors do not collide with anything when they are opened, and to avoid causing damage to kitchen units.

Measurements in mm



A: Air inlet  $\ge 200 \text{ cm}^2$

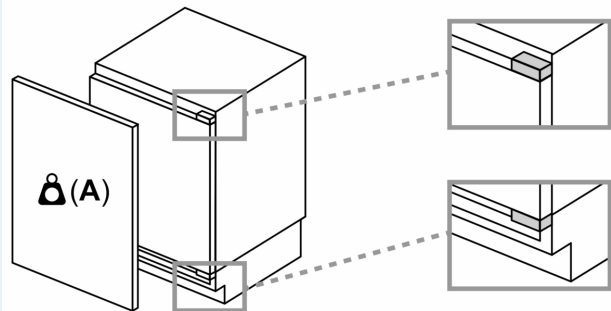
Measurements in mm



A: Substructure height  
B:  $\ge 560 \text{ mm}$  (recommended)

Space for electrical connection next to the appliance on the left or right side

**Maximal permissible weight of the unit fronts**



Fitted unit fronts that exceed the permissible weight may cause damage and result in functional impairment of the hinges

A: Weight  $\le 12 \text{ kg}$