

## iQ300, fully-integrated dishwasher, 60 cm, varioHinge for special installation situations SN73HX16CE



Excellent wifi-enabled dishwasher with program status information via gap illumination, fitting even for special built-in situations and operable via smartphone or voice assistance.

- ✓ smartStart: Sync your dishwasher to prioritise either renewable energy or the lowest energy prices.
- ✓ varioHinge: Our dishwasher that seamlessly complements your kitchen design.
- ✓ flex baskets: Our essential basket class with great flexibility for your dishwashing needs.
- ✓ 1h Programme: Get clean, dry dishes in just 60 minutes.
- ✓ varioSpeed Plus: Wash and dry your dishes up to three times faster.

### Features

#### Technical Data

Energy Efficiency Class (Regulation (EU) 2017/1369)<sup>1</sup>: ..... C  
 Energy Consumption for 100 cycles Eco Programme<sup>2</sup>: .. 75 kWh/100 cycles  
 Maximum number of place settings: ..... 14  
 The water consumption of the eco programme in liters per cycle<sup>3</sup>: 9.0 l  
 Programme duration<sup>4</sup>: ..... 4:55 h  
 Airborne acoustical noise emissions : ..... 42 dB(A) re 1pW  
 Airborne acoustical noise emission class: ..... B  
 Cleaning performance: ..... A  
 Water consumption: ..... 9.0 l  
 Total annual water consumption 220 days: ..... 1980 l  
 Design: ..... Built-in  
 Removable top: ..... No  
 Door panel options: ..... Not possible  
 Height of removable worktop: ..... 0 mm  
 Height of the appliance: ..... 815 mm  
 Adjustable feet: ..... Yes - all from front  
 Maximum adjustability feet: ..... 60 mm  
 Adjustable plinth: ..... Both horizontal and vertical  
 Net weight: ..... 35.1 kg  
 Gross weight: ..... 37.5 kg  
 Connection rating: ..... 2400 W  
 Fuse protection: ..... 10 A  
 Voltage: ..... 220-240 V  
 Frequency: ..... 50; 60 Hz  
 Length electrical supply cord: ..... 175 cm  
 Plug type: ..... GARDY plug w/ earthing  
 Length inlet hose: ..... 165 cm  
 Length outlet hose: ..... 190 cm  
 Hidden heating element: ..... Yes  
 Water protection system description: ..... Triple water protection 24h  
 Child safety devices: ..... No  
 Water softener: ..... Yes  
 Top basket type: ..... Practical loading with flex basket  
 Adjustable upper basket: ..... Rackmatic 3-stage  
 Bottom basket type: ..... R2  
 3rd Rack: ..... 3rd Rack 1.0  
 Included accessories : ..... Vapor barrier plate  
 Number of place settings: ..... 14  
 Dimensions of the packed product (HxWxD): ..... 880x660x670 mm

### Optional accessories

SZ73035	panel strips, elevated install. 81,5cm
SZ73051EU	Mains cable with EU-Plug 5m
SZ73100	cutlery basket
SZ73300	Wineglass-Tray
SZ73640	Rack insert for stemware dishwasher
SZ30BI01	decorative strips stainless steel 81,5cm
SZ36BH00	Bottle Holder grey
SZ38BI00	Connection rail for divided furniture
SZ72010	inlet and outlet hose extention 2 m
SZ73000	Dishwashing aid set

<sup>1</sup> Scale of Energy Efficiency Classes from A to G  
<sup>2</sup> Energy consumption in kWh per 100 cycles (in programme Eco 50 °C)  
<sup>3</sup> in programme Eco 50 °C  
<sup>4</sup> Duration of programme Eco 50 °C



## iQ300, fully-integrated dishwasher, 60 cm, varioHinge for special installation situations SN73HX16CE

### Features

#### Efficiency & Performance

- Energy Efficiency Class<sup>1</sup>: C
- Energy<sup>2</sup> / Water<sup>3</sup>: 75 kWh / 9 litres
- Capacity: 14 place settings
- Programme duration<sup>4</sup>: 4:55 (h:min)
- Noise level: 42 dB(A) re 1 pW
- Noise Efficiency Class: B

#### Programs

- 6 programmes: Eco 50 °C, Auto 45-65 °C, Intensive 70 °C, Speed 65 °C, Speed 45 °C, Favourite (Pre-Rinse)
- Favourite button
- 4 special options: Remote Start, Intensive Zone, Half Load, varioSpeed Plus
- Machine Care Programme
- Add-On functions via Home Connect app: Hygiene Plus, Silence on Demand (Quiet now)

#### SIEMENS - Header 3

- Heat exchanger
- Aqua-Sensor
- dosageAssist
- iQdrive
- Self-cleaning filter system with 3-fold corrugated filter
- Interior tub material: Stainless Steel

#### Dimensions

- flex baskets
- varioDrawer
- rackMatic height-adjustable top basket (3 stage)
- Low friction wheels on bottom basket
- Rack Stopper to prevent derailing of bottom basket
- 2 foldable plate racks in top basket
- 4 foldable plate racks in bottom basket
- 2 cup shelves in top basket
- 2 cup shelves in bottom basket

#### Display & Operation

- Home Connect enabled via WLAN
- Controls on top edge of door
- Panel legend: Plain text (english)
- sideLight
- Remaining programme time indicator (min)
- Acoustic end of cycle indicator
- Electronic delay timer: 1-24 hours

#### SIEMENS - Header 6

- aquaStop®: Siemens home appliances' warranty in case of water damage – for the lifetime of the appliance.\*
- incl. varioHinge

- Glass care protection system

#### SIEMENS - Header 7

- incl. Salt filling funnel
- incl. Steam protection for worktop

#### SIEMENS - Header 8

- Product dimensions (HxWxD): 81.5 x 59.8 x 55 cm

<sup>1</sup> Scale of Energy Efficiency Classes from A to G

<sup>2</sup> Energy consumption in kWh per 100 cycles (in programme Eco 50 °C)

<sup>3</sup> Water consumption in litres per cycle (in programme Eco 50 °C)

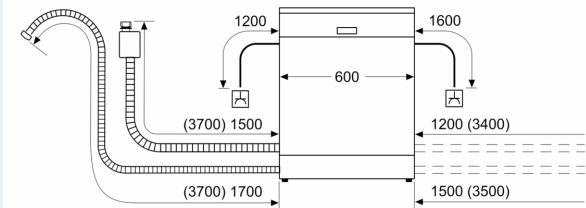
<sup>4</sup> Duration of programme Eco 50 °C

\* Please find warranty terms under [please insert here the local URL (internet address, e.g. <https://www.siemens-home.bsh-group.com> but with the direct page with the warranty terms)

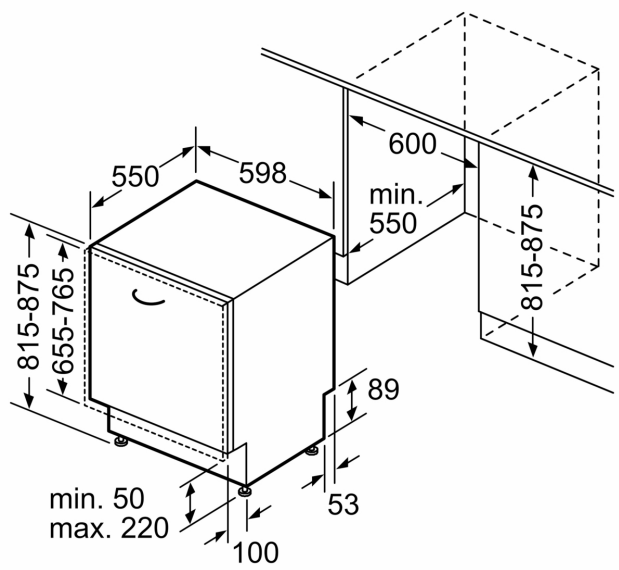
iQ300, fully-integrated  
dishwasher, 60 cm, varioHinge for  
special installation situations  
SN73HX16CE

Dimensioned drawings

measurements in mm



⚡ socket  
( ) values with extension kit



measurements in mm