

## iQ500, fully-integrated dishwasher, 60 cm, varioHinge for special installation situations SN95Z802CE



Clear Control User Interface, a quick and easy guide to the right programme via user-friendly controls from left to right.

- ✓ smartStart: Sync your dishwasher to prioritise either renewable energy or the lowest energy prices.
- ✓ Zeolith® drying: 2x better drying results on plastic.
- ✓ varioHinge: Our dishwasher that seamlessly complements your kitchen design.
- ✓ openAssist: Effortless access with push-to-open dishwasher functionality.
- ✓ flexComfort baskets: Our advanced basket class that offers impressive flexibility and excellent glass care.

### Features



Optional accessories	
SZ36BH00	Bottle Holder grey
SZ36DB04	Vario Drawer for flexComfort Pro Baskets
SZ36RB04	3. Basket for flexComfort Pro
SZ38BI00	Connection rail for divided furniture
SZ38BI01	Mounting rail for doubled furniture
SZ72010	inlet and outlet hose extension 2 m
SZ73000	Dishwashing aid set
SZ73001	Silver polishing cassette
SZ73035	panel strips, elevated install. 81,5cm
SZ73051EU	Mains cable with EU-Plug 5m
SZ73300	Wineglass-Tray
SZ73640	Rack insert for stemware dishwasher

<sup>1</sup> Scale of Energy Efficiency Classes from A to G  
<sup>2</sup> Energy consumption in kWh per 100 cycles (in programme Eco 50 °C)  
<sup>3</sup> in programme Eco 50 °C  
<sup>4</sup> Duration of programme Eco 50 °C

Energy Efficiency Class (Regulation (EU) 2017/1369) <sup>1</sup> :	B
Energy Consumption for 100 cycles Eco Programme <sup>2</sup> :	.. 65 kWh/100 cycles
Maximum number of place settings:	14
The water consumption of the eco programme in liters per cycle <sup>3</sup> :	9.0 l
Programme duration <sup>4</sup> :	3:35 h
Airborne acoustical noise emissions :	40 dB(A) re 1 pW
Airborne acoustical noise emission class:	B
Cleaning performance:	A
Water consumption:	9.0 l
Total annual water consumption 220 days:	1980 l
Design:	Built-in
Removable top:	No
Door panel options:	Not possible
Height of removable worktop:	0 mm
Height of the appliance:	815 mm
Adjustable feet:	Yes - all from front
Maximum adjustability feet:	60 mm
Adjustable plinth:	Both horizontal and vertical
Net weight:	47.8 kg
Gross weight:	50.0 kg
Connection rating:	2400 W
Fuse protection:	10 A
Voltage:	220-240 V
Frequency:	50; 60 Hz
Length electrical supply cord:	175 cm
Plug type:	Gardy plug w/ earthing
Length inlet hose:	165 cm
Length outlet hose:	190 cm
Hidden heating element:	Yes
Water protection system description:	Triple water protection 24h
Child safety devices:	Yes
Water softener:	Yes
Top basket type:	High flexibility with flexComfort basket
Adjustable upper basket:	Rackmatic 3-stage
Bottom basket type:	R3
3rd Rack:	3rd Rack 1.0
Optional accessories:	SZ36BH00, SZ36DB04, SZ36RB04, SZ38BI00, SZ38BI01, SZ72010, SZ73000, SZ73001, SZ73035, SZ73051EU, SZ73300, SZ73640
Included accessories :	Vapor barrier plate, Stainless steel decorative strips
Number of place settings:	14
Dimensions of the packed product (HxWxD):	880x660x670 mm



## iQ500, fully-integrated dishwasher, 60 cm, varioHinge for special installation situations SN95Z802CE

### Features

#### SIEMENS - Header 1

- Energy Efficiency Class<sup>1</sup>: B
- Energy<sup>2</sup> / Water<sup>3</sup>: 65 kWh / 9 litres
- Capacity: 14 place settings
- Programme duration<sup>4</sup>: 3:35 (h:min)
- Noise level: 40 dB(A) re 1 pW
- Noise Efficiency Class: B

#### SIEMENS - Header 2

- 7 programmes: Eco 50 °C, Speed 60 °C, intelligent, Auto Soft 35-45 °C, Auto Mixed 45-65 °C, Auto Intensive 65-75 °C, Favourite (Pre-Rinse)
- Favourite button
- 4 special options: Intensive Zone, HygienePlus, varioSpeed Plus, Remote Start
- Machine Care Programme
- Add-On functions via Home Connect app: Half Load, Silence on Demand (Quiet now)

#### SIEMENS - Header 3

- Zeolith-Drying
- Heat exchanger
- Aqua-Sensor
- dosageAssist
- iQdrive
- Detergent Automation
- Self-cleaning filter system with 3-fold corrugated filter
- Interior tub material: Stainless Steel

#### SIEMENS - Header 4

- flexComfort baskets with blue coloured touchpoints
- glassZone
- varioDrawer
- rackMatic height-adjustable top basket (3 stage)
- easyGlide wheels on top and bottom basket
- Rack Stopper to prevent derailing of bottom basket
- 2 foldable plate racks in top basket
- 8 foldable plate racks in bottom basket
- Variable cutlery basket in bottom basket
- 2 cup shelves with soft silicone front part in top basket
- 2 cup shelves in bottom basket
- Anti-slip protection strip for wine glasses in top basket
- Glass rack in bottom basket

#### SIEMENS - Header 5

- Home Connect enabled via WLAN
- Clear Control
- Touch Control (black)
- Controls on top edge of door

- Panel legend: Plain text (english)
- emotionLight
- sideLight
- Remaining programme time indicator (min)
- Acoustic end of cycle indicator
- Electronic delay timer: up to 24 hours (via app)

#### SIEMENS - Header 6

- aquaStop®: Siemens home appliances' warranty in case of water damage – for the lifetime of the appliance.\*
- Child-proof door lock (double push to open)
- Door openAssist
- incl. varioHinge
- Raw water valve

#### SIEMENS - Header 7

- incl. Decorative strips (stainless steel)
- incl. Salt filling funnel
- incl. Steam protection for worktop

#### SIEMENS - Header 8

- Product dimensions (HxWxD): 81.5 x 59.8 x 55 cm

<sup>1</sup> Scale of Energy Efficiency Classes from A to G

<sup>2</sup> Energy consumption in kWh per 100 cycles (in programme Eco 50 °C)

<sup>3</sup> Water consumption in litres per cycle (in programme Eco 50 °C)

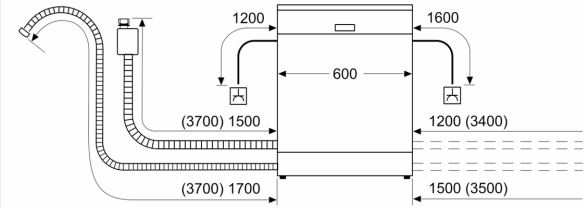
<sup>4</sup> Duration of programme Eco 50 °C

\* Please find warranty terms under [please insert here the local URL (internet address, e.g. <https://www.siemens-home.bsh-group.com> but with the direct page with the warranty terms)

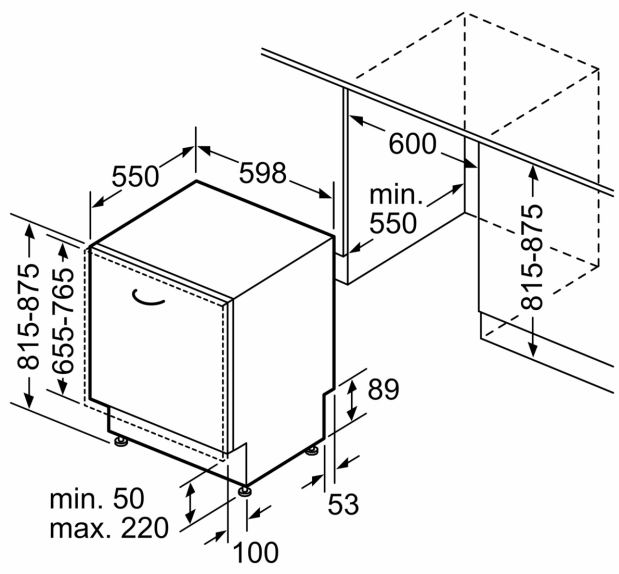
**iQ500, fully-integrated  
dishwasher, 60 cm, varioHinge for  
special installation situations  
SN95Z802CE**

**Dimensioned drawings**

measurements in mm



⚡ socket  
( ) values with extension kit



measurements in mm