

iQ700, fully-integrated dishwasher, 60 cm, varioHinge for special installation situations SN97T801CE



Premium Energy label A dishwasher, thanks to the innovative High Efficiency Energy Saving System with no constraining compromises to perfect results.

- ✓ smartStart: Sync your dishwasher to prioritise either renewable energy or the lowest energy prices.
- ✓ Zeolith® drying: 2x better drying results on plastic.
- ✓ varioHinge: Our dishwasher that seamlessly complements your kitchen design.
- ✓ openAssist: Effortless access with push-to-open dishwasher functionality.
- ✓ flexComfort Pro baskets: Our premium basket class where you can experience unparalleled flexibility and exceptional glass care.

Features

Technical Data

Energy Efficiency Class (Regulation (EU) 2017/1369)¹: A
 Energy Consumption for 100 cycles Eco Programme²: .. 54 kWh/100 cycles
 Maximum number of place settings: 14
 The water consumption of the eco programme in liters per cycle³: 9.5 l
 Programme duration⁴: 4:55 h
 Airborne acoustical noise emissions : 42 dB(A) re 1pW
 Airborne acoustical noise emission class: B
 Cleaning performance: A
 Water consumption: 9.5 l
 Total annual water consumption 220 days: 2090 l
 Design: Built-in
 Removable top: No
 Door panel options: Not possible
 Height of removable worktop: 0 mm
 Height of the appliance: 815 mm
 Adjustable feet: Yes - all from front
 Maximum adjustability feet: 60 mm
 Adjustable plinth: Both horizontal and vertical
 Net weight: 42.8 kg
 Gross weight: 45.0 kg
 Connection rating: 2400 W
 Fuse protection: 10 A
 Voltage: 220-240 V
 Frequency: 50; 60 Hz
 Length electrical supply cord: 175 cm
 Plug type: Gardy plug w/ earthing
 Length inlet hose: 165 cm
 Length outlet hose: 190 cm
 Hidden heating element: Yes
 Water protection system description: Triple water protection 24h
 Child safety devices: Yes
 Water softener: Yes
 Top basket type: Maximum flexibility with flexComfort Pro basket
 Adjustable upper basket: Rackmatic 3-stage
 Bottom basket type: R4
 3rd Rack: VarioDrawer Pro
 Optional accessories: SZ36BH00, SZ38BI00, SZ38BI01, SZ72010, SZ73000, SZ73001, SZ73035, SZ73051EU, SZ73300, SZ73640
 Included accessories : Vapor barrier plate, Stainless steel decorative strips
 Number of place settings: 14

Optional accessories

SZ36BH00	Bottle Holder grey
SZ38BI00	Connection rail for divided furniture
SZ38BI01	Mounting rail for doubled furniture
SZ72010	inlet and outlet hose extension 2 m
SZ73000	Dishwashing aid set
SZ73001	Silver polishing cassette
SZ73035	panel strips, elevated install. 81,5cm
SZ73051EU	Mains cable with EU-Plug 5m
SZ73300	Wineglass-Tray
SZ73640	Rack insert for stemware dishwasher

¹ Scale of Energy Efficiency Classes from A to G
² Energy consumption in kWh per 100 cycles (in programme Eco 50 °C)
³ in programme Eco 50 °C
⁴ Duration of programme Eco 50 °C

Dimensions of the packed product (HxWxD):880x660x670 mm



iQ700, fully-integrated dishwasher, 60 cm, varioHinge for special installation situations SN97T801CE

Features

SIEMENS - Header 1

- Energy Efficiency Class¹: A
- Energy² / Water³: 54 kWh / 9.5 litres
- Capacity: 14 place settings
- Programme duration⁴: 4:55 (h:min)
- Noise level: 42 dB(A) re 1 pW
- Noise Efficiency Class: B
- Noise level (Silence 50°C programme): 41 dB(A) re 1 pW

SIEMENS - Header 2

- 8 Programmes: Eco 50 °C, Auto 45-65 °C, intelligent, Intensive 70 °C, Speed 60 °C, brilliantShine 40 °C, Silence 50 °C, Favourite (Pre-Rinse)
- Favourite button
- 5 special options: Remote Start, Shine & Dry, Intensive Zone, HygienePlus, varioSpeed Plus
- Machine Care Programme
- Add-On functions via Home Connect app: Half Load, Silence on Demand (Quiet now)

SIEMENS - Header 3

- Zeolith-Drying
- High Efficiency Energy Saving System
- autoOpen dry and Heat exchanger
- Aqua-Sensor
- dosageAssist
- iQdrive
- Detergent Automation
- Self-cleaning filter system with 3-fold corrugated filter
- Interior tub material: Stainless Steel

SIEMENS - Header 4

- flexComfort Pro baskets with blue coloured touchpoints
- glassZone
- varioDrawer Pro
- rackMatic height-adjustable top basket (3 stage)
- easyGlide wheels on top and bottom basket
- Coloured anti-slip protection strips in top basket
- Rack Stopper to prevent derailing of bottom basket
- 6 foldable plate racks in top basket
- 8 FlexTines in bottom basket
- Variable cutlery basket in bottom basket
- 2 cup shelves with soft silicone front part in top basket
- 2 cup shelves in bottom basket
- Anti-slip protection strip for wine glasses in top basket
- Glass rack in bottom basket

SIEMENS - Header 5

- Home Connect enabled via WLAN
- High-definition colour TFT display showing graphic symbols and

plain text

- Touch Control (black)
- Controls on top edge of door
- Panel legend: Plain text (english)
- emotionLight
- sideLight
- Real-time clock
- Acoustic end of cycle indicator
- Electronic delay timer: 1-24 hours

SIEMENS - Header 6

- aquaStop®: Siemens home appliances' warranty in case of water damage – for the lifetime of the appliance.*
- Child-proof door lock (double push to open)
- Door openAssist
- incl. varioHinge
- Raw water valve

SIEMENS - Header 7

- incl. Decorative strips (stainless steel)
- incl. Salt filling funnel
- incl. Steam protection for worktop

SIEMENS - Header 8

- Product dimensions (HxWxD): 81.5 x 59.8 x 55 cm

¹ Scale of Energy Efficiency Classes from A to G

² Energy consumption in kWh per 100 cycles (in programme Eco 50 °C)

³ Water consumption in litres per cycle (in programme Eco 50 °C)

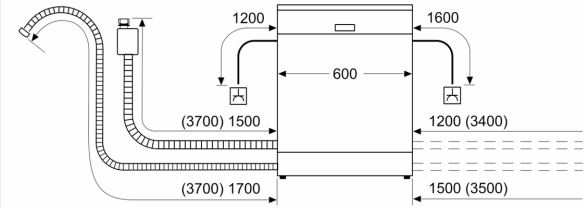
⁴ Duration of programme Eco 50 °C

* Please find warranty terms under [please insert here the local URL (internet address, e.g. <https://www.siemens-home.bsh-group.com> but with the direct page with the warranty terms)

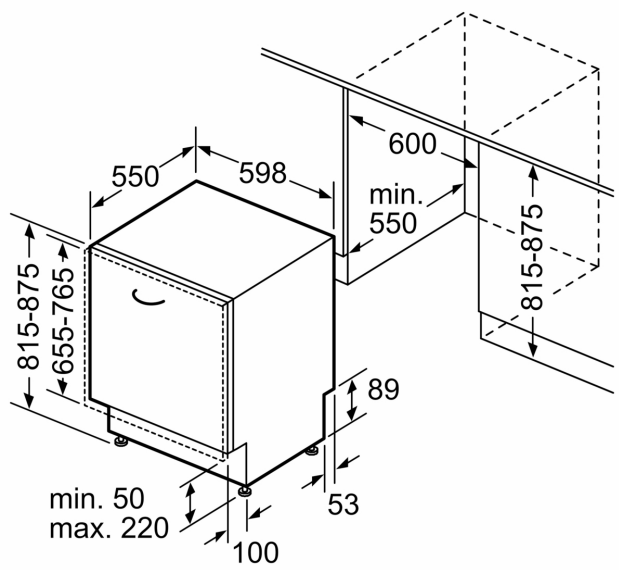
**iQ700, fully-integrated
dishwasher, 60 cm, varioHinge for
special installation situations
SN97T801CE**

Dimensioned drawings

measurements in mm



⚡ socket
() values with extension kit



measurements in mm