

**iQ500, fully-integrated  
dishwasher, 60 cm, XXL,  
varioHinge for special installation  
situations  
SX95EX22CE**



The Energy Label A dishwasher, thanks to our Intelligent Energy Saving Solutions with no constraining compromises to perfect results.

- ✓ varioSpeed Plus: Wash and dry your dishes up to three times faster.
- ✓ flexComfort baskets: Our advanced basket class that offers impressive flexibility and excellent glass care.
- ✓ glassZone: Dedicated dishwasher zone that protects your glassware.
- ✓ emotionLight: Elevate your kitchen aesthetic with this stylish LED glow.
- ✓ sideLight: Always the most important thing in sight with the elegant blue light bar as operating status indicator.

**Features**



### Optional accessories

SZ38BI00	Connection rail for divided furniture
SZ38BI01	Mounting rail for doubled furniture
SZ72010	inlet and outlet hose extension 2 m
SZ73000	Dishwashing aid set
SZ73045	Edelstahlverblendungssatz 86,5cm Höhe
SZ73051EU	Mains cable with EU-Plug 5m
SZ73100	cutlery basket
SZ73300	Wineglass-Tray
SZ73640	Rack insert for stemware dishwasher
SZ30BI11	decorative strips stainless steel 86,5cm
SZ36BH00	Bottle Holder grey

<sup>1</sup> Scale of Energy Efficiency Classes from A to G

<sup>2</sup> Energy consumption in kWh per 100 cycles (in programme Eco 50 °C)

<sup>3</sup> in programme Eco 50 °C

<sup>4</sup> Duration of programme Eco 50 °C

Energy Efficiency Class (Regulation (EU) 2017/1369)<sup>1</sup>: ..... A  
 Energy Consumption for 100 cycles Eco Programme<sup>2</sup>: .. 54 kWh/100 cycles  
 Maximum number of place settings: ..... 14  
 The water consumption of the eco programme in liters per cycle<sup>3</sup>: 9.0 l  
 Programme duration<sup>4</sup>: ..... 4:30 h  
 Airborne acoustical noise emissions : ..... 42 dB(A) re 1 pW  
 Airborne acoustical noise emission class: ..... B  
 Cleaning performance: ..... A  
 Water consumption: ..... 9.0 l  
 Total annual water consumption 220 days: ..... 1980 l  
 Design: ..... Built-in  
 Removable top: ..... No  
 Door panel options: ..... Not possible  
 Height of removable worktop: ..... 0 mm  
 Height of the appliance: ..... 865 mm  
 Adjustable feet: ..... Yes - all from front  
 Maximum adjustability feet: ..... 60 mm  
 Adjustable plinth: ..... Both horizontal and vertical  
 Net weight: ..... 40.8 kg  
 Gross weight: ..... 43.0 kg  
 Connection rating: ..... 2400 W  
 Fuse protection: ..... 10 A  
 Voltage: ..... 220-240 V  
 Frequency: ..... 50; 60 Hz  
 Length electrical supply cord: ..... 175 cm  
 Plug type: ..... GARDY plug w/ earthing  
 Length inlet hose: ..... 165 cm  
 Length outlet hose: ..... 190 cm  
 Hidden heating element: ..... Yes  
 Water protection system description: ..... Triple water protection 24h  
 Child safety devices: ..... Yes  
 Water softener: ..... Yes  
 Top basket type: ..... High flexibility with flexComfort basket  
 Adjustable upper basket: ..... Rackmatic 3-stage  
 Bottom basket type: ..... R3  
 3rd Rack: ..... 3rd Rack 1.0  
 Optional accessories: ..... SZ38BI00, SZ38BI01, SZ72010, SZ73000, SZ73045, SZ73051EU, SZ73100, SZ73300, SZ73640, SZ30BI11, SZ36BH00  
 Included accessories : ..... Vapor barrier plate  
 Number of place settings: ..... 14  
 Dimensions of the packed product (HxWxD): ..... 920x660x670 mm



## iQ500, fully-integrated dishwasher, 60 cm, XXL, varioHinge for special installation situations SX95EX22CE

### Features

#### SIEMENS - Header 1

- Energy Efficiency Class<sup>1</sup>: A
- Energy<sup>2</sup> / Water<sup>3</sup>: 54 kWh / 9 litres
- Capacity: 14 place settings
- Programme duration<sup>4</sup>: 4:30 (h:min)
- Noise level: 42 dB(A) re 1 pW
- Noise Efficiency Class: B
- Noise level (Silence 50°C programme): 41 dB(A) re 1 pW

#### SIEMENS - Header 2

- 7 programmes: Eco 50 °C, Auto 45-65 °C, Intensive 70 °C, Speed 60 °C, Speed 45 °C, Glass 40 °C, Favourite (Pre-Rinse)
- Favourite button
- 4 special options: Remote Start, Intensive Zone, Half Load, varioSpeed Plus
- Machine Care Programme
- Add-On functions via Home Connect app: Hygiene Plus, Silence 50°C, Silence on Demand (Quiet now)

#### SIEMENS - Header 3

- autoOpen dry and Heat exchanger
- Aqua-Sensor
- dosageAssist
- iQdrive
- Self-cleaning filter system with 3-fold corrugated filter
- Interior tub material: Stainless Steel

#### SIEMENS - Header 4

- flexComfort baskets with blue coloured touchpoints
- glassZone
- varioDrawer
- rackMatic height-adjustable top basket (3 stage)
- easyGlide wheels on top basket
- Low friction wheels on bottom basket
- Rack Stopper to prevent derailing of bottom basket
- 2 foldable plate racks in top basket
- 8 foldable plate racks in bottom basket
- 2 cup shelves with soft silicone front part in top basket
- 2 cup shelves in bottom basket
- Anti-slip protection strip for wine glasses in top basket
- Glass rack in bottom basket

#### SIEMENS - Header 5

- Home Connect enabled via WLAN
- Touch Control (black)
- Controls on top edge of door
- Panel legend: Plain text (english)
- emotionLight

- sideLight
- Remaining programme time indicator (min)
- Acoustic end of cycle indicator
- Electronic delay timer: 1-24 hours

#### SIEMENS - Header 6

- aquaStop®: Siemens home appliances' warranty in case of water damage – for the lifetime of the appliance.\*
- Child-proof door lock (double push to open)
- Door openAssist
- incl. varioHinge
- Glass care protection system

#### SIEMENS - Header 7

- incl. Salt filling funnel
- incl. Steam protection for worktop

#### SIEMENS - Header 8

- Product dimensions (HxWxD): 86.5 x 59.8 x 55 cm

<sup>1</sup> Scale of Energy Efficiency Classes from A to G

<sup>2</sup> Energy consumption in kWh per 100 cycles (in programme Eco 50 °C)

<sup>3</sup> Water consumption in litres per cycle (in programme Eco 50 °C)

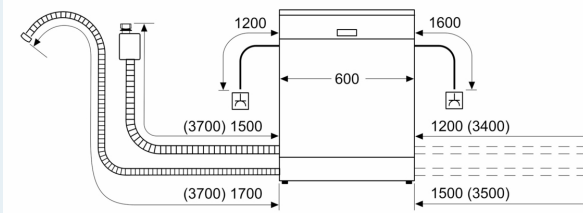
<sup>4</sup> Duration of programme Eco 50 °C

\* Please find warranty terms under [please insert here the local URL (internet address, e.g. <https://www.siemens-home.bsh-group.com> but with the direct page with the warranty terms)

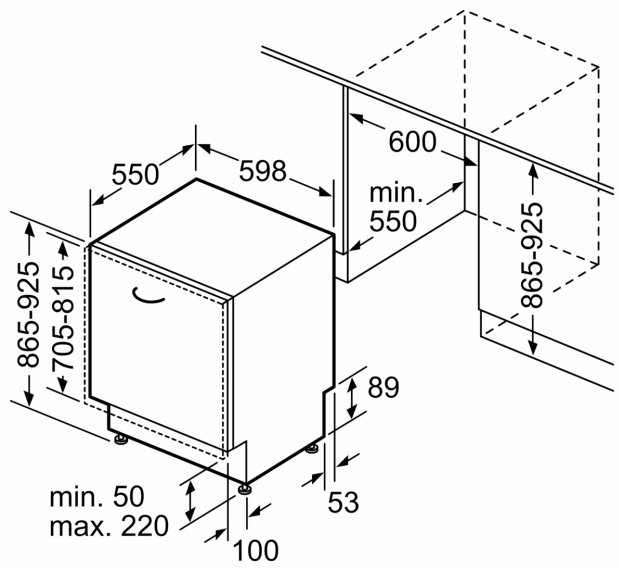
**iQ500, fully-integrated  
dishwasher, 60 cm, XXL,  
varioHinge for special installation  
situations  
SX95EX22CE**

Dimensioned drawings

measurements in mm



⚡ socket  
( ) values with extension kit



measurements in mm